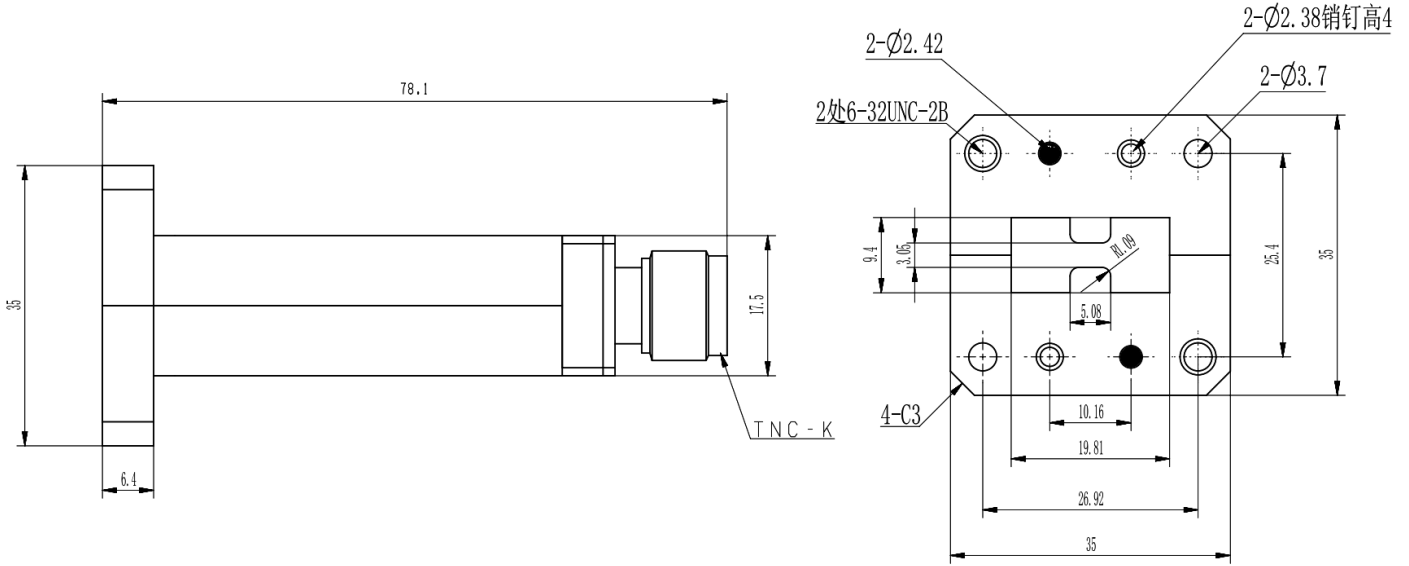


End Launch Double Ridge Waveguide to Coax Adapter, RWRD580TE WRD580 to TNC Female, FPWRD580 Rectangular Flange

Dimensions(mm) Tolerance±1%



Electrical & Environmental

Frequency Range	5.8-16GHz	Impedance	50 ohm	VSWR	1.3 max
Input Avg Power	200W @25°C	Peak Power	-	Insertion Loss	0.35 dB max

Mechanical & Product Information

Product Number	RWRD580TE, H-Grade	Body Geometry	End Launch
Waveguide Body	Aluminum, grey painted	Waveguide	WRD580, FPWRD580 Rectangular Flange
Connector Body	Passivated stainless steel	Coax Connector	TNC Female
Center Contact	Gold plated beryllium copper		
Operating Temp	-40°C to 70°C	Net Weight	-