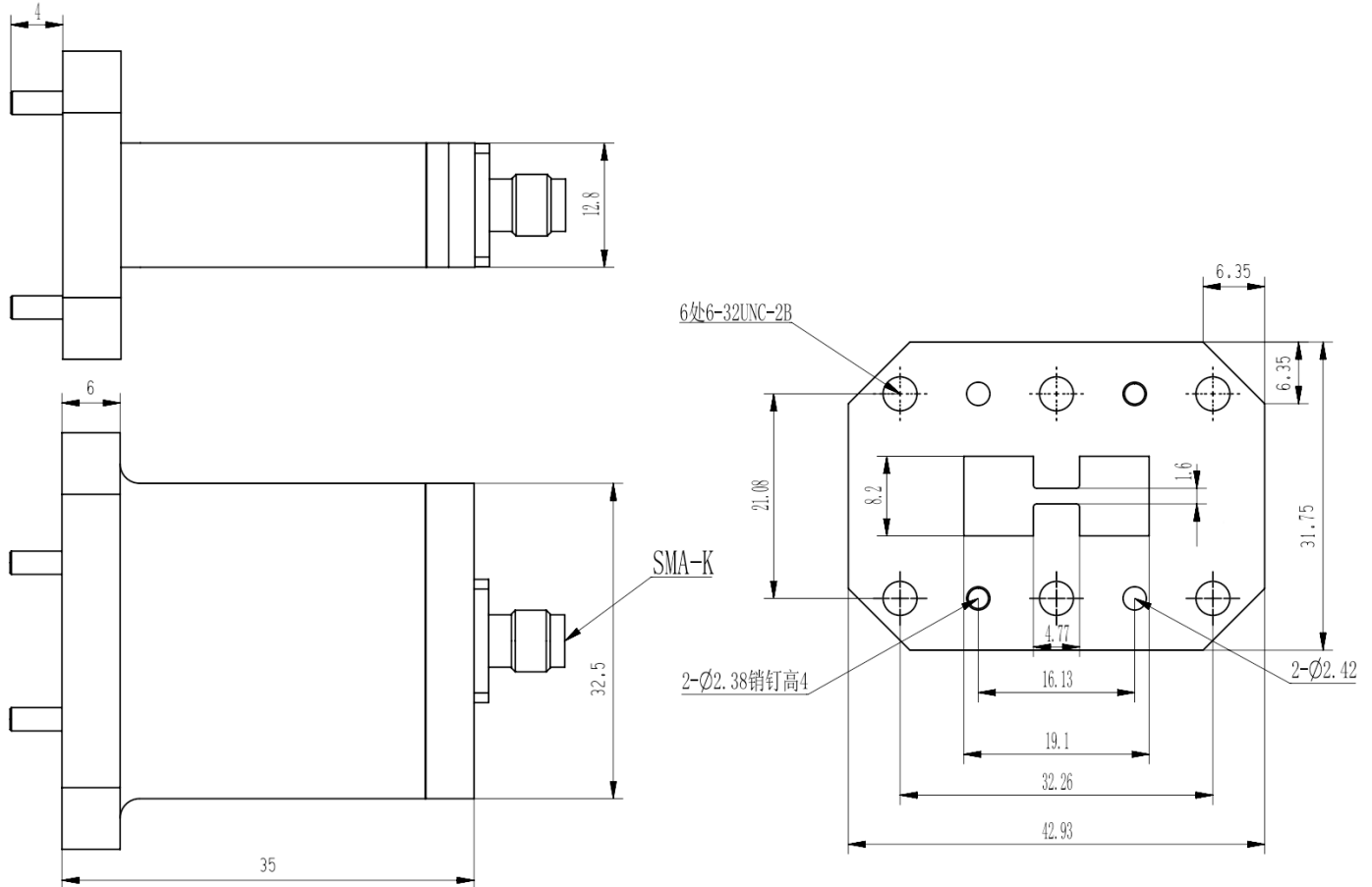


End Launch Double Ridge Waveguide to Coax Adapter, RWRD500SE 5-18GHz, WRD500 to SMA Female, FPWRD500 Flange

Dimensions(mm) Tolerance $\pm 1\%$

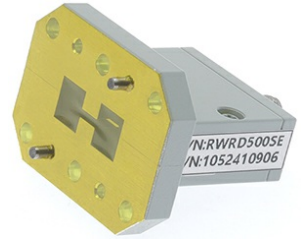


Electrical & Environmental

Frequency Range	5-18GHz	Impedance	50 ohm	VSWR	1.3 max
Input Avg Power	50W @25°C	Peak Power	2000W	Insertion Loss	0.7 dB max

Mechanical & Product Information

Product Number	RWRD500SE, H-Grade	Body Geometry	End Launch
Waveguide Body	Aluminum, grey painted	Waveguide	WRD500, FPWRD500 Flange
Connector Body	Passivated stainless steel	Coax Connector	SMA Female
Center Contact	Gold plated beryllium copper		
Operating Temp	-40°C to 70°C	Net Weight	About 46.2g



End Launch Double Ridge Waveguide to Coax Adapter, RWRD500SE
5-18GHz, WRD500 to SMA Female, FPWRD500 Flange

Typical Test Data

