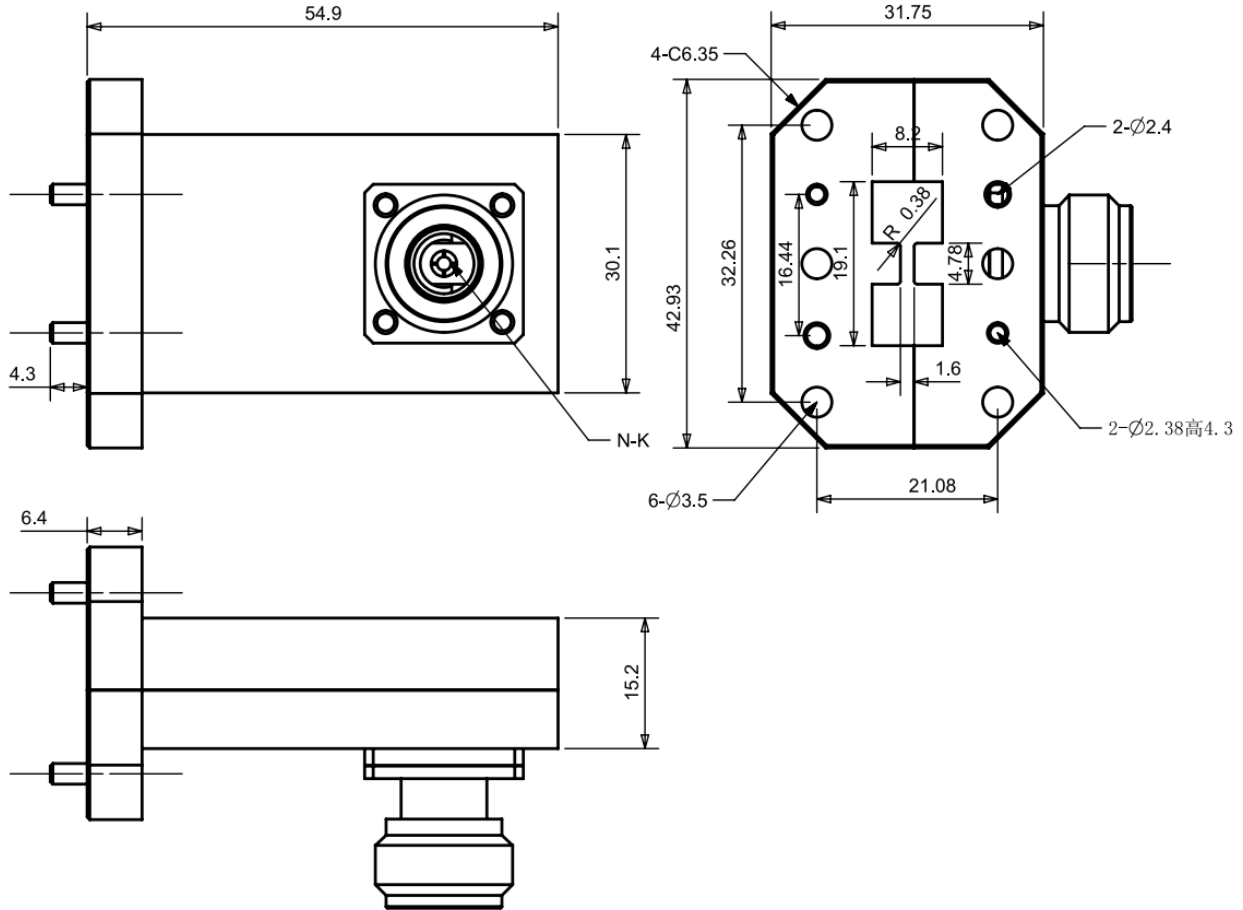




## Right Angle Double Ridge Waveguide to Coax Adapter, RWRD500N 5-18GHz, WRD500 to N Female, FPWRD500 Flange

### Dimensions(mm) Tolerance $\pm 1\%$



### Electrical & Environmental

Frequency Range	5-18GHz	Impedance	50 ohm	VSWR	1.3 max
Input Avg Power	200W @25°C	Peak Power	5000W	Insertion Loss	0.7 dB max

### Mechanical & Product Information

Product Number	RWRD500N, H-Grade	Body Geometry	Right Angle
Waveguide Body	Aluminum, grey painted	Waveguide	WRD500, FPWRD500 Flange
Connector Body	Passivated stainless steel	Coax Connector	N Female
Center Contact	Gold plated beryllium copper		
Operating Temp	-40°C to 70°C	Net Weight	About 84.5g



**Right Angle Double Ridge Waveguide to Coax Adapter, RWRD500N**  
5-18GHz, WRD500 to N Female, FPWRD500 Flange

**Typical Test Data**

