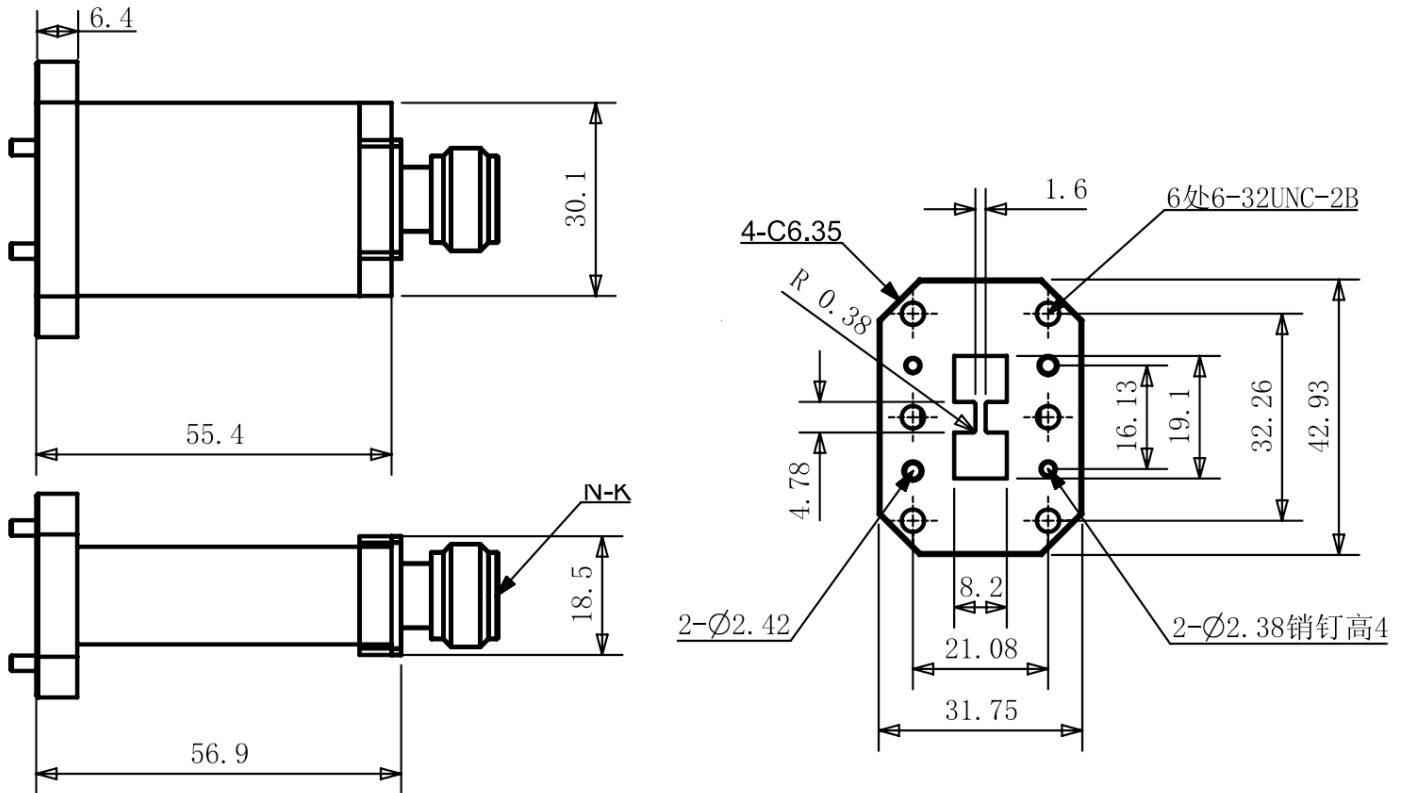




End Launch Double Ridge Waveguide to Coax Adapter, RWRD500NE WRD500 to N Female,

Dimensions(mm) Tolerance $\pm 1\%$



Electrical & Environmental

Frequency Range	5-18GHz	Impedance	50 ohm	VSWR	1.4 max
Input Avg Power	200W @25°C	Peak Power	5000W	Insertion Loss	0.35 dB max

Mechanical & Product Information

Product Number	RWRD500NE, H-Grade	Body Geometry	End Launch
Waveguide Body	Aluminum, grey painted	Waveguide	WRD500,
Connector Body	Passivated stainless steel	Coax Connector	N Female
Center Contact	Gold plated beryllium copper		
Operating Temp	-40°C to 70°C	Net Weight	About 87.0g



End Launch Double Ridge Waveguide to Coax Adapter, RWRD500NE
WRD500 to N Female,

Typical Test Data

