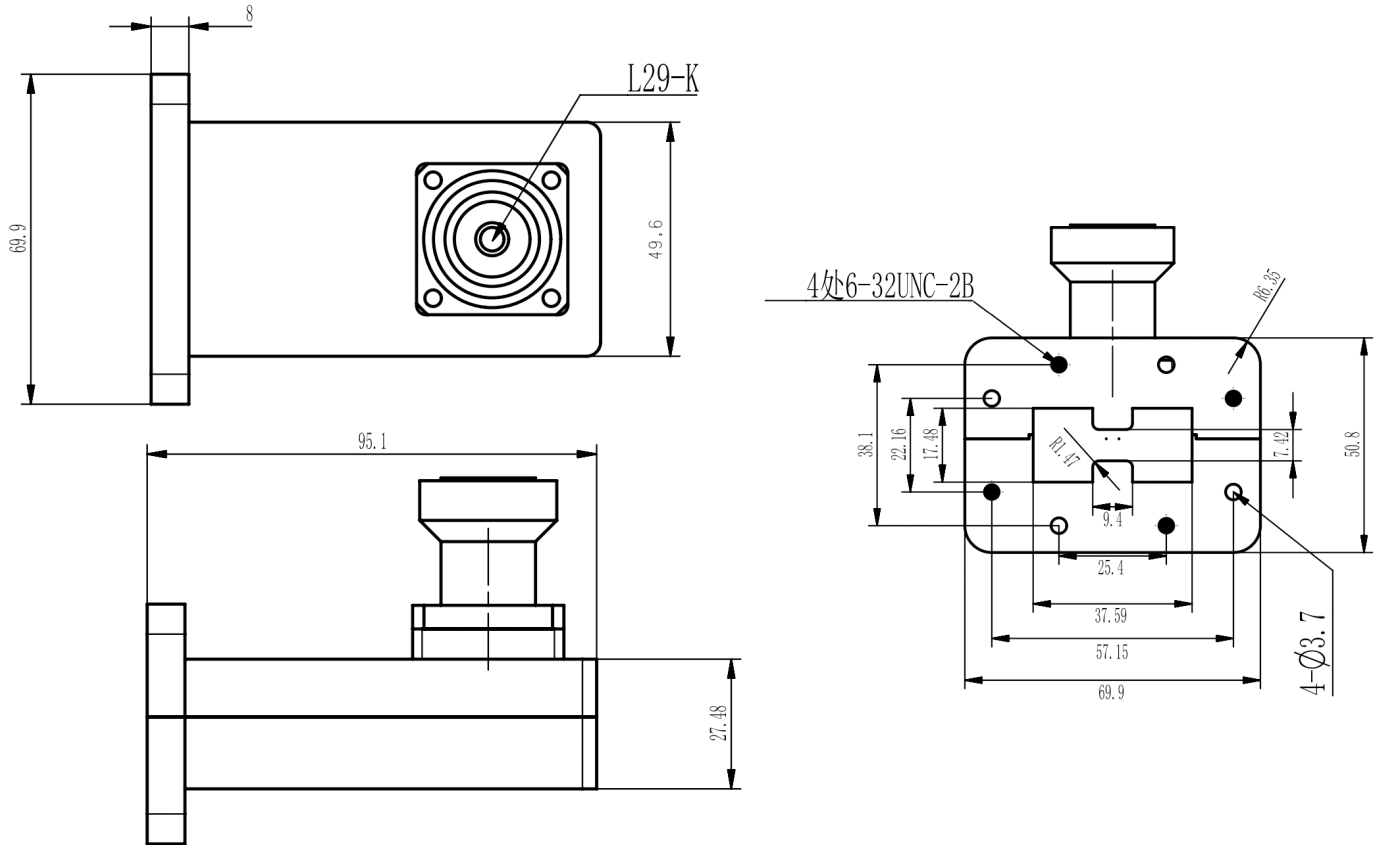




## Right Angle Double Ridge Waveguide to Coax Adapter, RWRD350D WRD350 to L29(DIN 7/16) Female, FPWRD350 Rectangular Flange

Dimensions(mm) Tolerance $\pm 1\%$



### Electrical & Environmental

<b>Frequency Range</b>	3.5-6GHz	<b>Impedance</b>	50 ohm	<b>VSWR</b>	1.3 max
<b>Input Avg Power</b>	1000W @25°C	<b>Peak Power</b>	5000W	<b>Insertion Loss</b>	0.3 dB max

### Mechanical & Product Information

<b>Product Number</b>	RWRD350D, H-Grade	<b>Body Geometry</b>	Right Angle
<b>Waveguide Body</b>	Aluminum, grey painted	<b>Waveguide</b>	WRD350, FPWRD350 Rectangular Flange
<b>Connector Body</b>	Nickel plated brass	<b>Coax Connector</b>	L29(DIN 7/16) Female
<b>Center Contact</b>	Silver plated phospher bronze		
<b>Operating Temp</b>	-40°C to 70°C	<b>Net Weight</b>	About 367.5g



## Right Angle Double Ridge Waveguide to Coax Adapter, **RWRD350** WRD350 to L29(DIN 7/16) Female, FPWRD350 Rectangular Flange

### Typical Test Data

