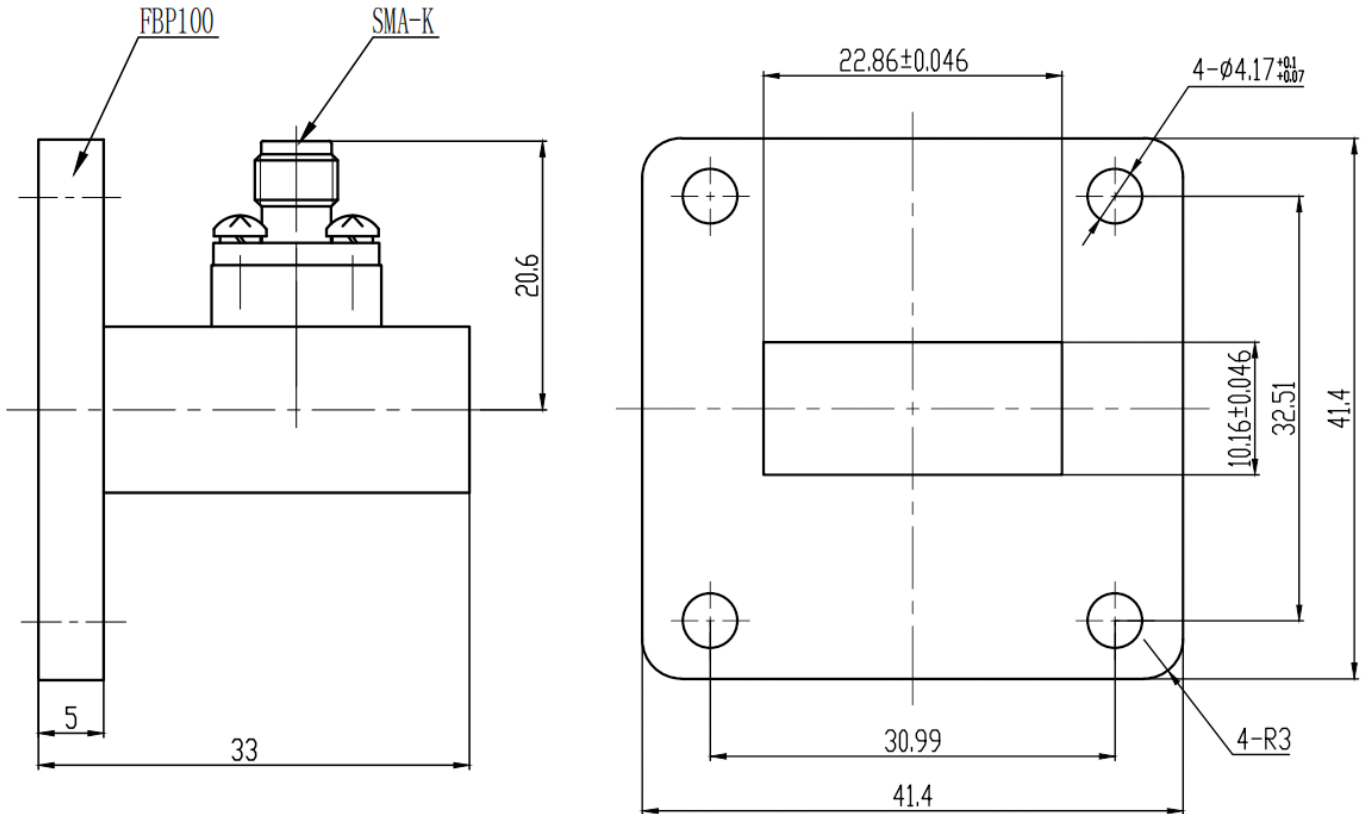


## Right Angle Waveguide to Coaxial Adapter, RWR90S02 8.2-12.5GHz, WR90 to SMA Female, UBR100 Flange

### Dimensions(mm) Tolerance $\pm 1\%$

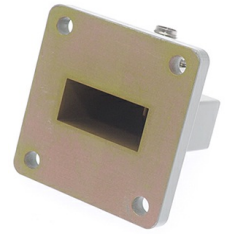


### Electrical & Environmental

Frequency Range	8.2-12.5GHz	Impedance	50 ohm	VSWR	1.2 max
Input Avg Power	35W @25°C	Peak Power	1000W	Insertion Loss	0.3 dB max

### Mechanical & Product Information

Product Number	RWR90S02, E-Grade	Body Geometry	Right Angle
Waveguide Body	Aluminum, grey painted	Waveguide	WR90, UBR100 Flange
Connector Body	Passivated stainless steel	Coax Connector	SMA Female
Center Contact	Gold plated beryllium copper		
Operating Temp	-20°C to 70°C	Net Weight	About 34.9g



**Right Angle Waveguide to Coaxial Adapter, RWR90S02**  
8.2-12.5GHz, WR90 to SMA Female, UBR100 Flange

**Typical Test Data**

