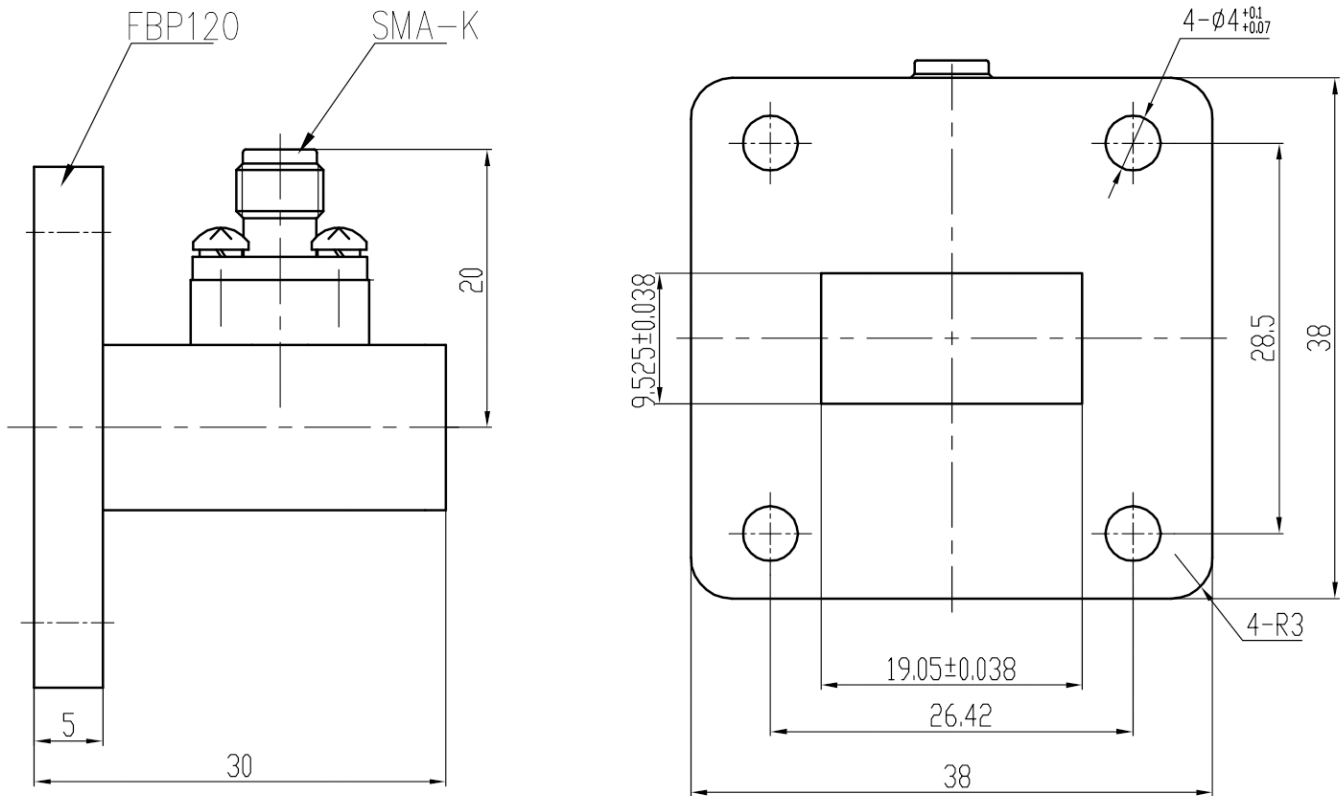


Right Angle Waveguide to Coaxial Adapter, RWR75S02 9.84-15GHz, WR75 to SMA Female, UBR120 Flange

Dimensions(mm) Tolerance $\pm 1\%$

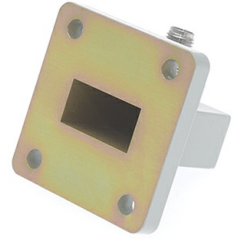


Electrical & Environmental

Frequency Range	9.84-15GHz	Impedance	50 ohm	VSWR	1.25 max
Input Avg Power	35W @25°C	Peak Power	1000W	Insertion Loss	0.3 dB max

Mechanical & Product Information

Product Number	RWR75S02, E-Grade	Body Geometry	Right Angle
Waveguide Body	Aluminum, grey painted	Waveguide	WR75, UBR120 Flange
Connector Body	Passivated stainless steel	Coax Connector	SMA Female
Center Contact	Gold plated beryllium copper		
Operating Temp	-20°C to 70°C	Net Weight	About 30.0g



Right Angle Waveguide to Coaxial Adapter, RWR75S02
9.84-15GHz, WR75 to SMA Female, UBR120 Flange

Typical Test Data

