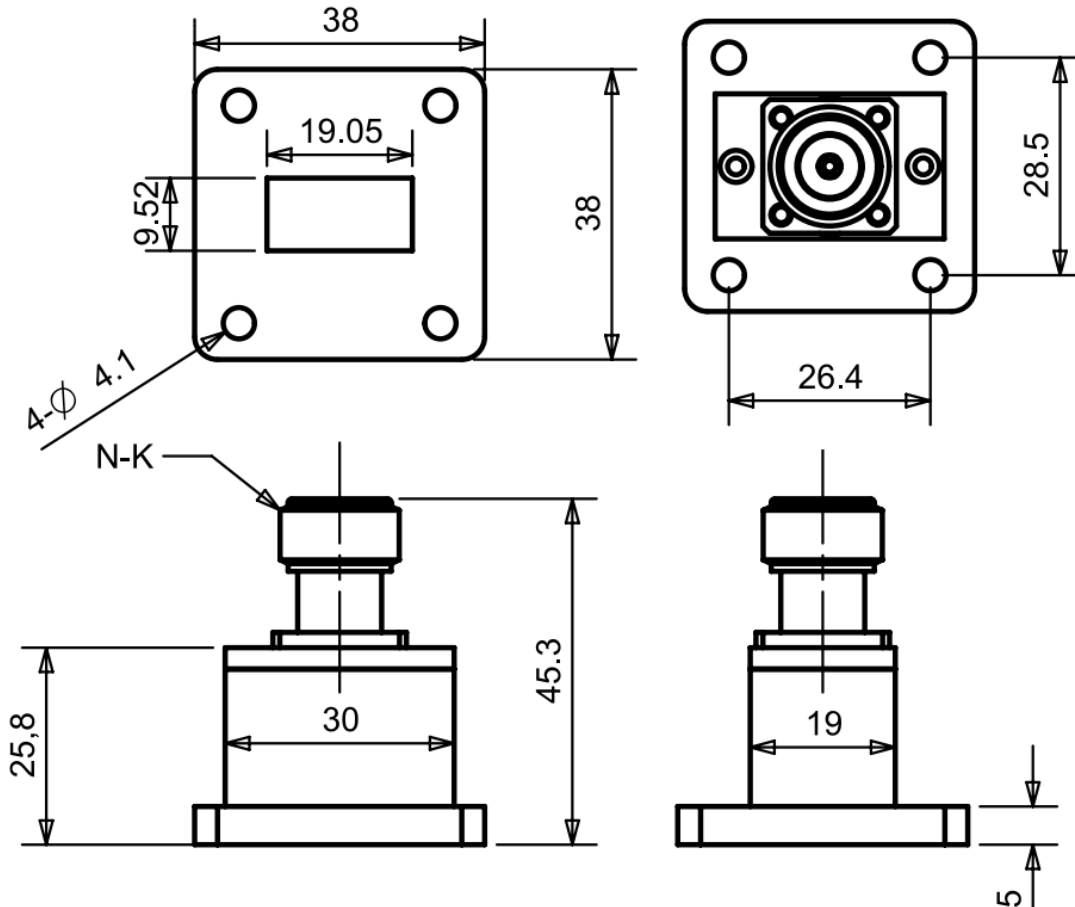




End Launch Waveguide to Coaxial Adapter, RWR75NE 9.84-15GHz, WR75 to N Female, UBR120 Flange

Dimensions(mm) Tolerance $\pm 1\%$



Electrical & Environmental

Frequency Range	9.84-15GHz	Impedance	50 ohm	VSWR	1.2 max
Input Avg Power	200W @25°C	Peak Power	2000W	Insertion Loss	0.35 dB max

Mechanical & Product Information

Product Number	RWR75NE, H-Grade	Body Geometry	End Launch
Waveguide Body	Aluminum, grey painted	Waveguide	WR75, UBR120 Flange
Connector Body	Passivated stainless steel	Coax Connector	N Female
Center Contact	Gold plated beryllium copper		
Operating Temp	-40°C to 70°C	Net Weight	About 60.0g



End Launch Waveguide to Coaxial Adapter, RWR75NE
9.84-15GHz, WR75 to N Female, UBR120 Flange

Typical Test Data

