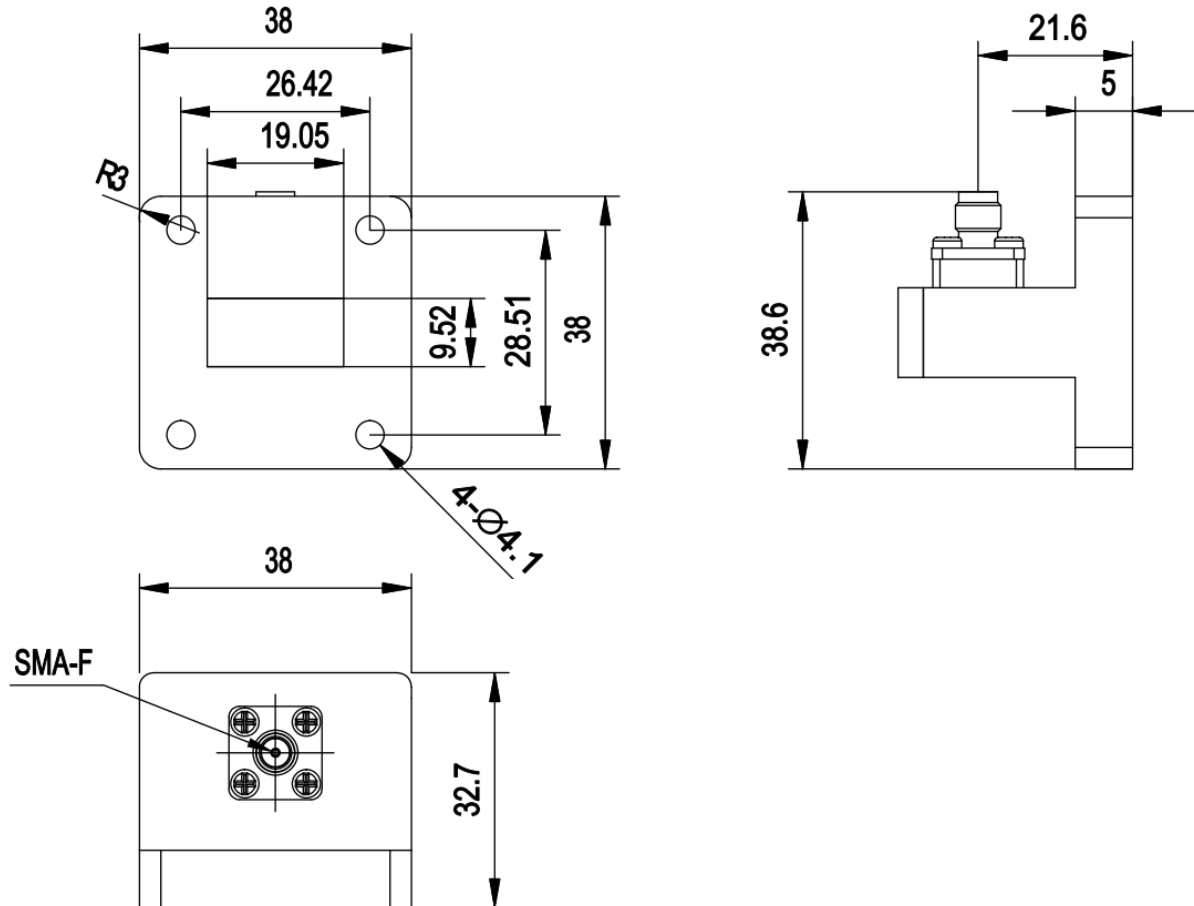


Right Angle Waveguide to Coaxial Adapter, RWR75FBES 9.84-15GHz, WR75 to SMA Female, FBE120(CBR) Flange

Dimensions(mm) Tolerance $\pm 1\%$



Electrical & Environmental

Frequency Range	9.84-15GHz	Impedance	50 ohm	VSWR	1.2 max
Input Avg Power	50W @25°C	Peak Power	2000W	Insertion Loss	0.35 dB max

Mechanical & Product Information

Product Number	RWR75FBES, H-Grade	Body Geometry	Right Angle
Waveguide Body	Aluminum, grey painted	Waveguide	WR75, FBE120(CBR) Flange
Connector Body	Passivated stainless steel	Coax Connector	SMA Female
Center Contact	Gold plated beryllium copper		
Operating Temp	-40°C to 70°C	Net Weight	-