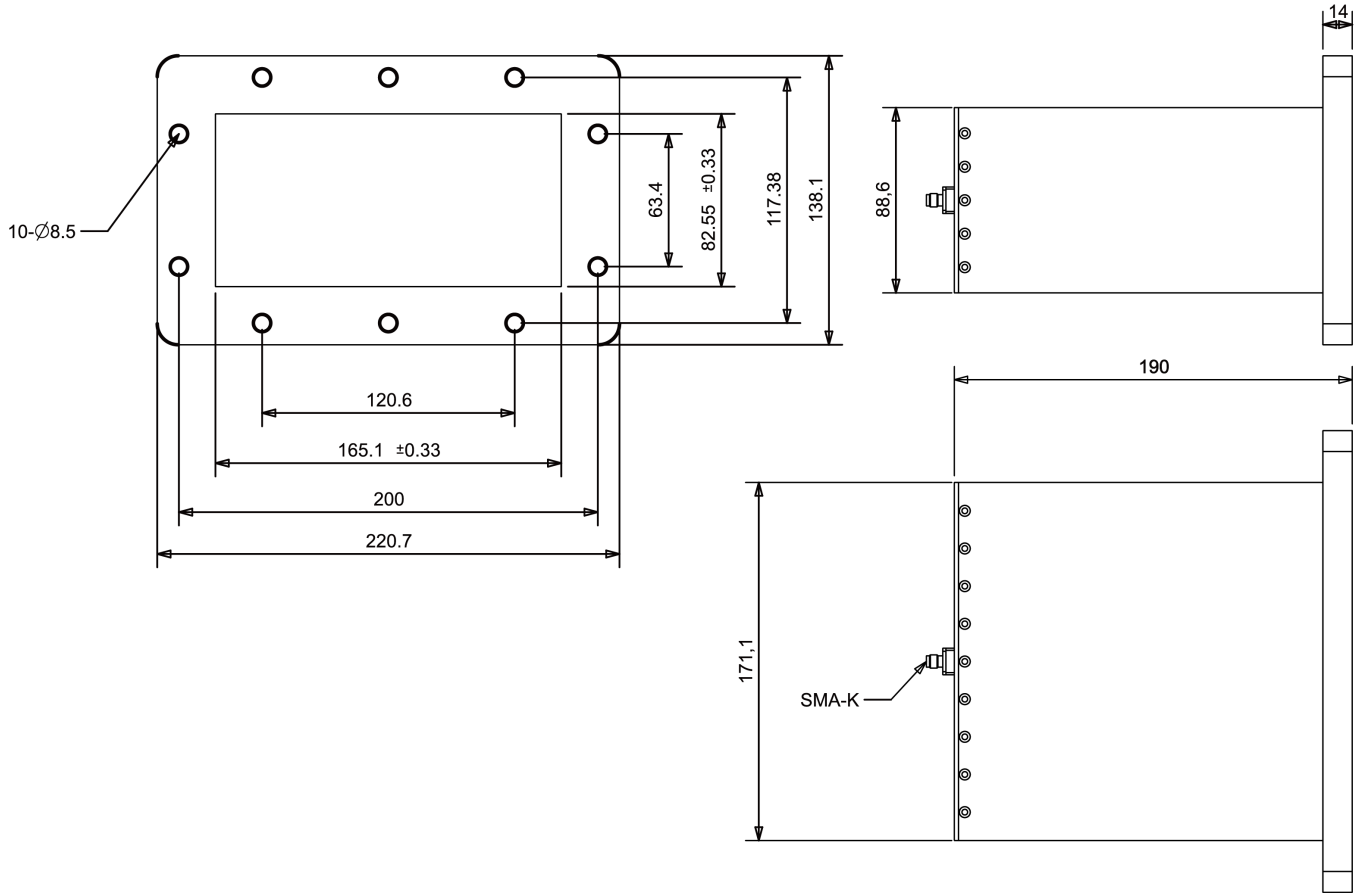


End Launch Waveguide to Coaxial Adapter, RWR650SE WR650 to SMA Female, FDP14(UDR) Flange

Dimensions(mm) Tolerance $\pm 1\%$



Electrical & Environmental

Frequency Range	1.13-1.73GHz	Impedance	50 ohm	VSWR	1.2 max
Input Avg Power	100W @25°C	Peak Power	3000W	Insertion Loss	0.2 dB max

Mechanical & Product Information

Product Number	RWR650SE, H-Grade	Body Geometry	End Launch
Waveguide Body	Aluminum, grey painted	Waveguide	WR650, FDP14(UDR) Flange
Connector Body	Passivated stainless steel	Coax Connector	SMA Female
Center Contact	Gold plated beryllium copper		
Operating Temp	-40°C to 70°C	Net Weight	-