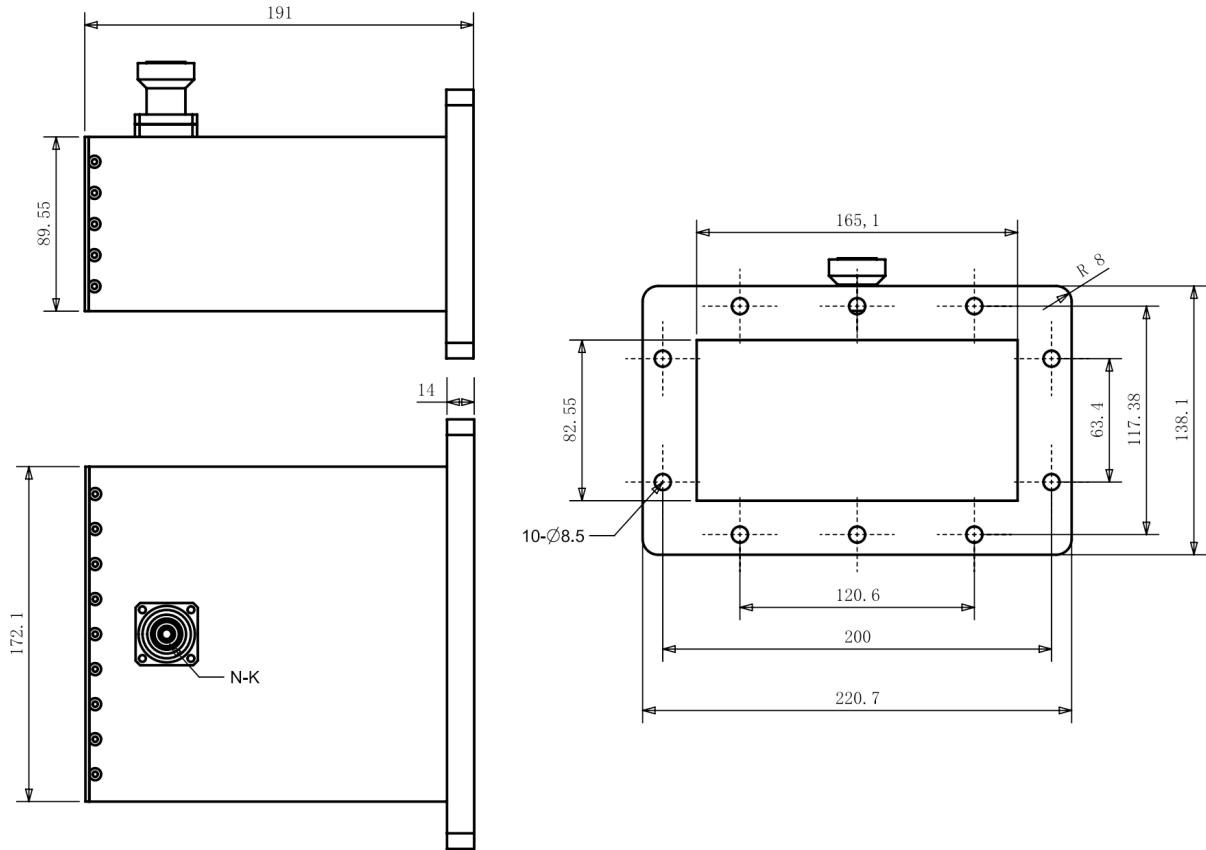


Right Angle Waveguide to Coaxial Adapter, RWR650D 1.13-1.73GHz, WR650 to L29 Female, UDR14 Flange

Dimensions(mm) Tolerance $\pm 1\%$



Electrical & Environmental

Frequency Range	1.13-1.73GHz	VSWR	1.2 Max
Input Avg Power	2000W @25°C	Insertion Loss	0 0.3 dB Max

Mechanical & Product Information

Product Number	RWR650D, P-Grade	Body Geometry	Right Angle
Waveguide Body	Aluminum, grey painted	Waveguide	WR650, UDR14 Flange
Connector Body	Nickel plated brass	Coax Connector	L29(DIN 7/16) Female
Center Contact	Silver plated phospher bronze		
Operating Temp	-40°C to 70°C	Net Weight	-