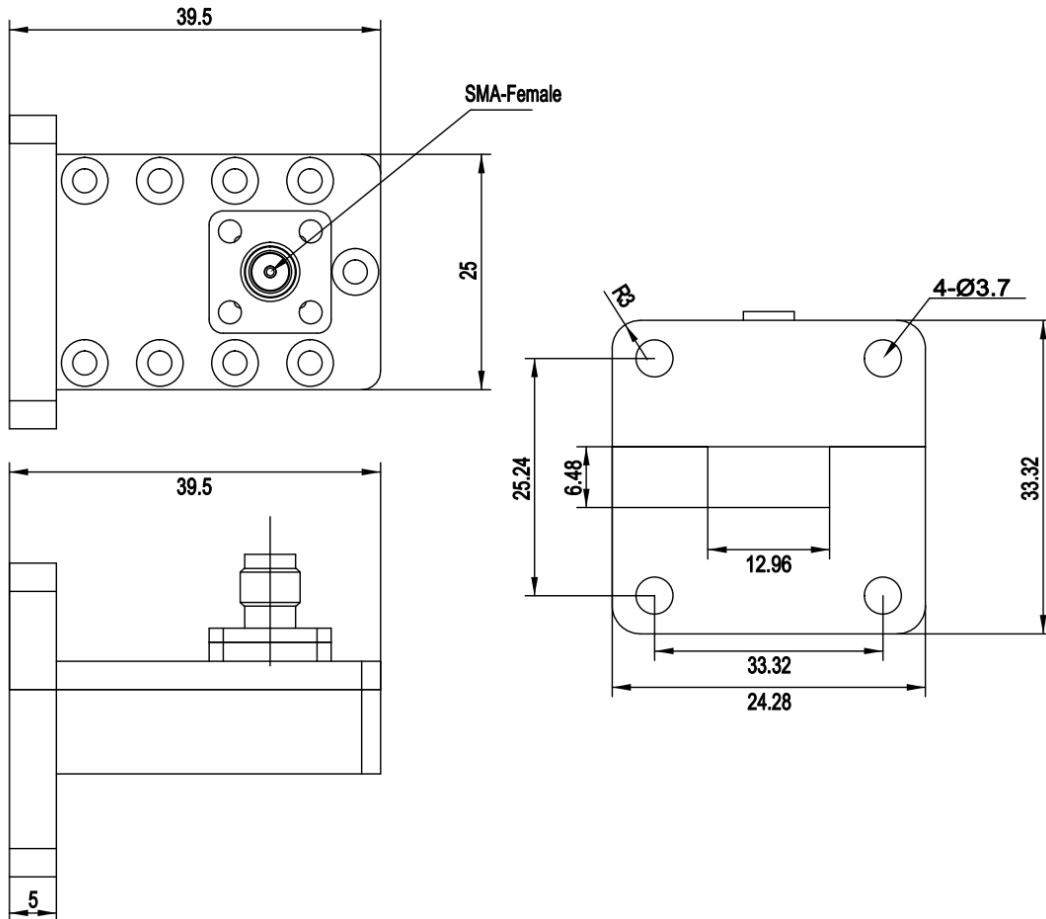




Right Angle Waveguide to Coaxial Adapter, RWR51SU 14.5-22GHz, WR51 to SMA Female,

Dimensions(mm) Tolerance $\pm 1\%$



Electrical & Environmental

Frequency Range	14.5-22GHz	Impedance	50 ohm	VSWR	1.2 max
Input Avg Power	20W @25°C	Peak Power	2000W	Insertion Loss	0.35 dB max

Mechanical & Product Information

Product Number	RWR51SU, H-Grade	Body Geometry	Right Angle
Waveguide Body	Aluminum, grey painted	Waveguide	WR51,
Connector Body	Passivated stainless steel	Coax Connector	SMA Female
Center Contact	Gold plated beryllium copper		
Operating Temp	-40°C to 70°C	Net Weight	-



Right Angle Waveguide to Coaxial Adapter, RWR51SU
14.5-22GHz, WR51 to SMA Female,

Typical Test Data

