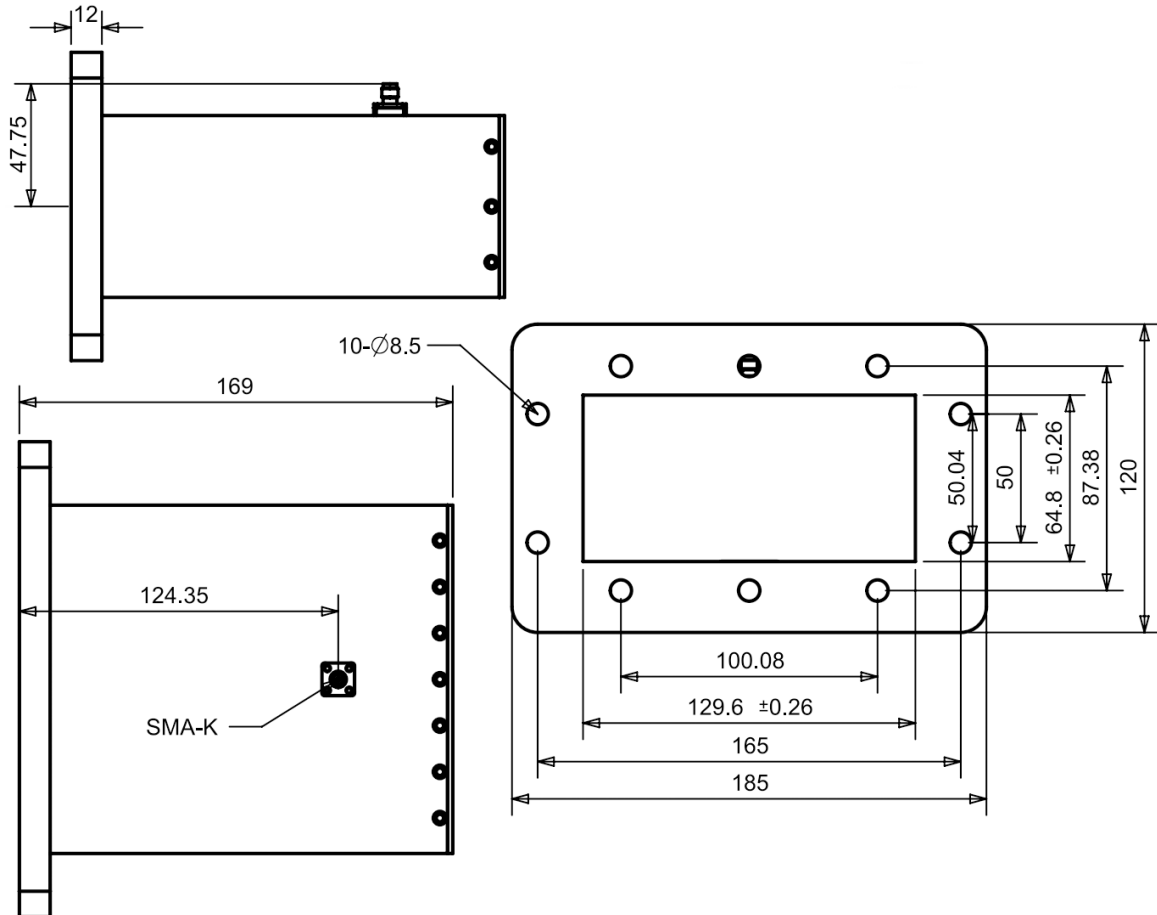


Right Angle Waveguide to Coaxial Adapter, RWR510S 1.45-2.2GHz, WR510 to SMA Female, UDR18 Flange

Dimensions(mm) Tolerance $\pm 1\%$



Electrical & Environmental

Frequency Range	1.45-2.2GHz	Impedance	50 ohm	VSWR	1.2 max
Input Avg Power	100W @25°C	Peak Power	2000W	Insertion Loss	0.2 dB max

Mechanical & Product Information

Product Number	RWR510S, H-Grade	Body Geometry	Right Angle
Waveguide Body	Aluminum, grey painted	Waveguide	WR510, UDR18 Flange
Connector Body	Passivated stainless steel	Coax Connector	SMA Female
Center Contact	Gold plated beryllium copper		
Operating Temp	-40°C to 70°C	Net Weight	-