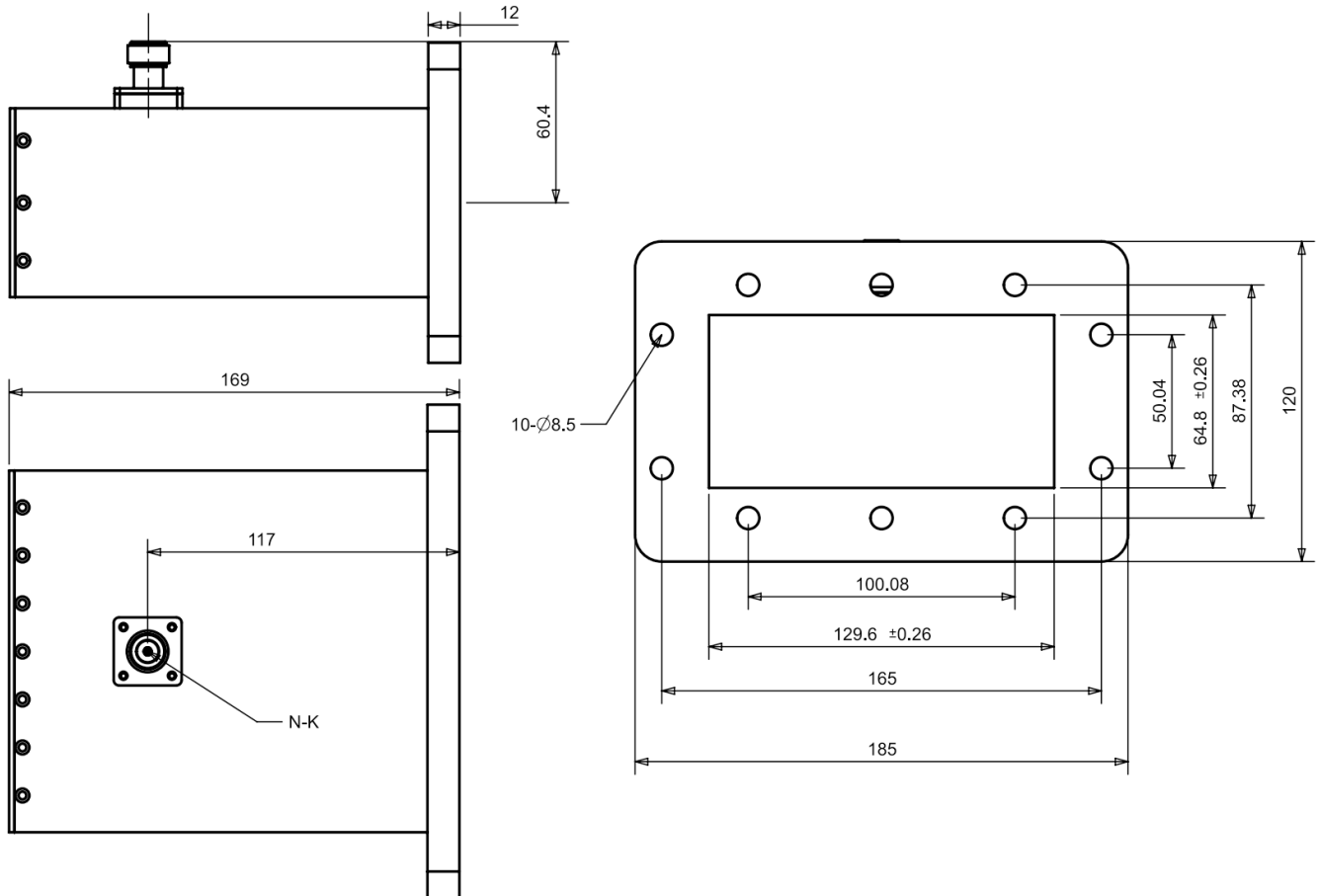


## Right Angle Waveguide to Coaxial Adapter, RWR510N 1.45-2.2GHz, WR510 to N Female, UDR18 Flange

Dimensions(mm) Tolerance $\pm 1\%$



### Electrical & Environmental

|                 |             |            |        |                |            |
|-----------------|-------------|------------|--------|----------------|------------|
| Frequency Range | 1.45-2.2GHz | Impedance  | 50 ohm | VSWR           | 1.2 max    |
| Input Avg Power | 500W @25°C  | Peak Power | -      | Insertion Loss | 0.2 dB max |

### Mechanical & Product Information

|                |                              |                |                     |
|----------------|------------------------------|----------------|---------------------|
| Product Number | RWR510N, H-Grade             | Body Geometry  | Right Angle         |
| Waveguide Body | Aluminum, grey painted       | Waveguide      | WR510, UDR18 Flange |
| Connector Body | Passivated stainless steel   | Coax Connector | N Female            |
| Center Contact | Gold plated beryllium copper |                |                     |
| Operating Temp | -40°C to 70°C                | Net Weight     | -                   |