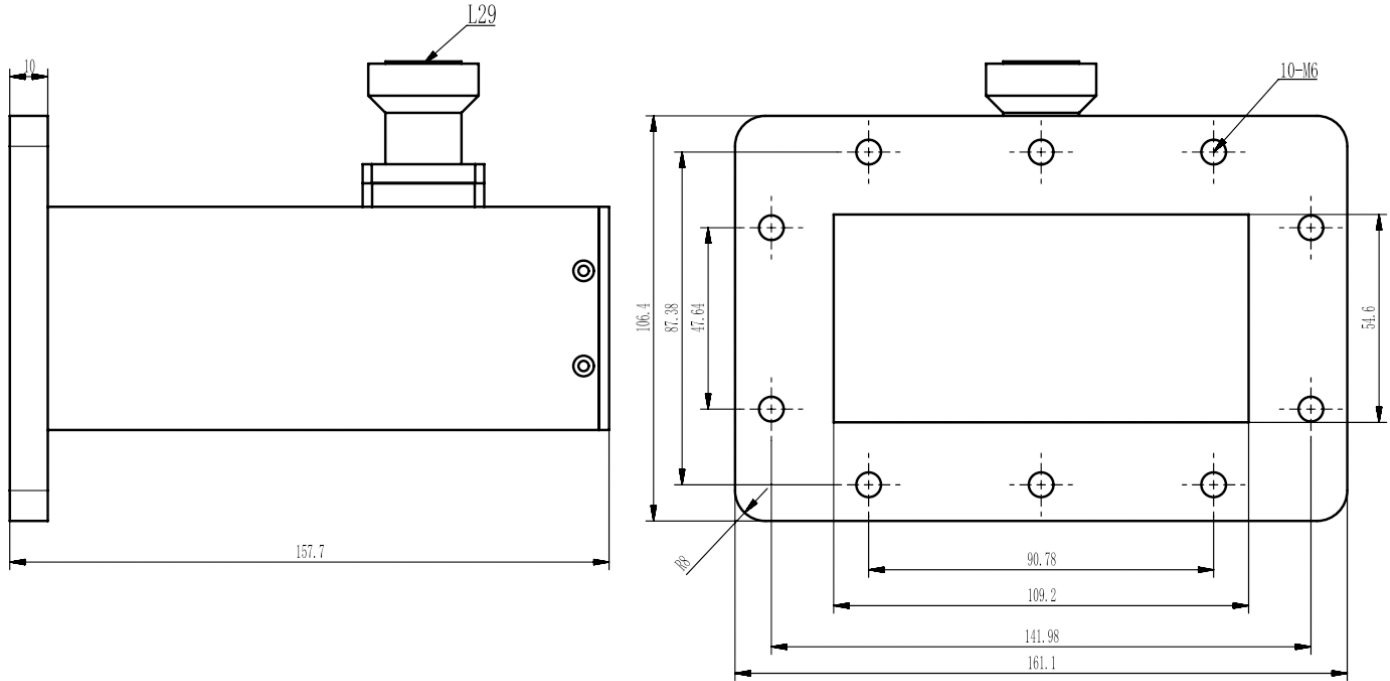




Right Angle Waveguide to Coaxial Adapter, RWR430D 1.72-2.61GHz, WR430 to L29 Female, FDP22(UDR) Flange

Dimensions(mm) Tolerance $\pm 1\%$



Electrical & Environmental

Frequency Range	1.72-2.61GHz	Impedance	50 ohm	VSWR	1.2 max
Input Avg Power	1500W @25°C	Peak Power	5000W (脉宽 100ms, 占空比 1%) W	Insertion Loss	0.3 dB max

Mechanical & Product Information

Product Number	RWR430D, H-Grade	Body Geometry	Right Angle
Waveguide Body	Aluminum, grey painted	Waveguide	WR430, FDP22(UDR) Flange
Connector Body	Nickel plated brass	Coax Connector	L29(DIN 7/16) Female
Center Contact	Silver plated phosphor bronze		
Operating Temp	-40°C to 70°C	Net Weight	About 1.1kg



Right Angle Waveguide to Coaxial Adapter, RWR430D
WR430 to L29(DIN 7/16) Female, FDP22(UDR) Flange

Typical Test Data

