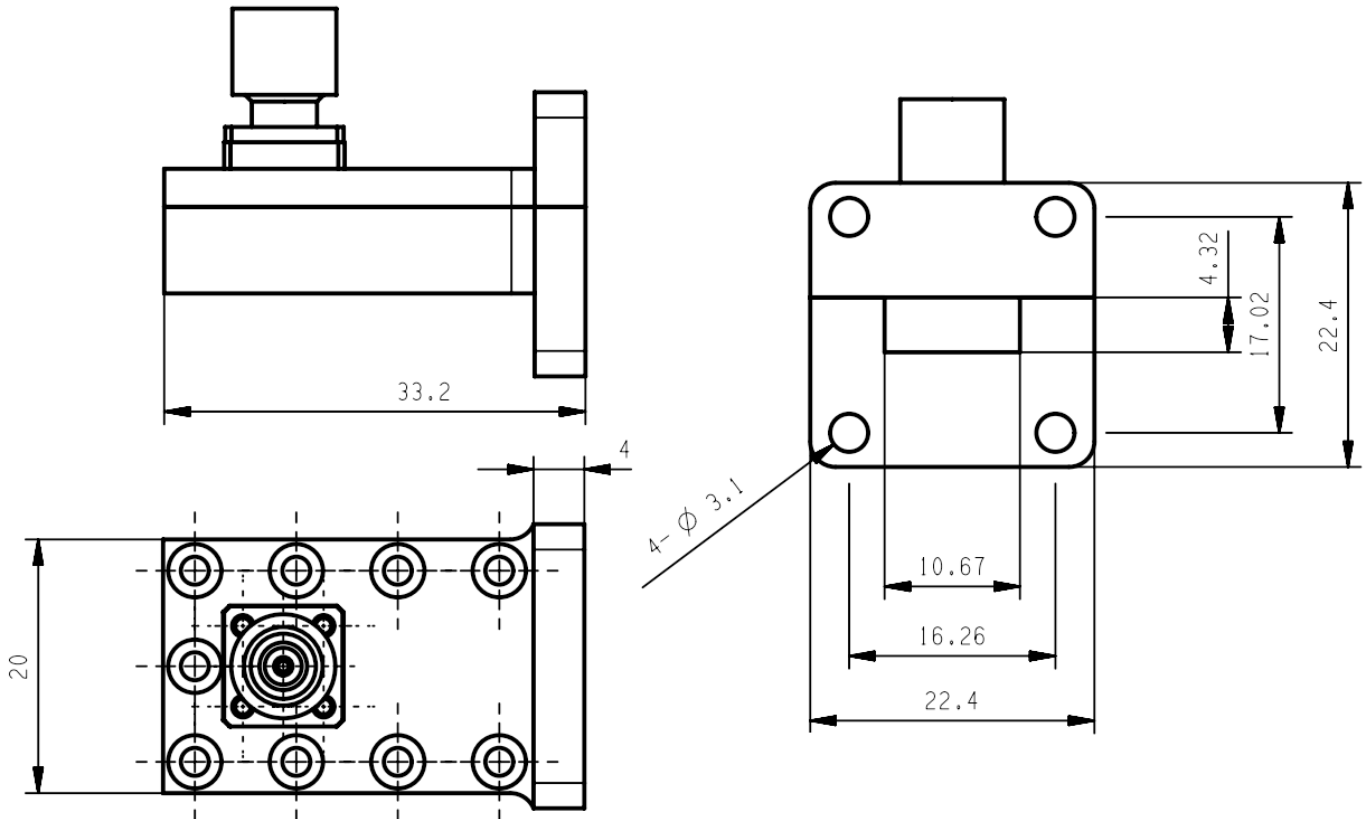




Right Angle Waveguide to Coaxial Adapter, **RWR42KM** 17.6-26.7GHz, WR42 to 2.92mm Male, UBR220 Flange

Dimensions(mm) Tolerance $\pm 1\%$



Electrical & Environmental

Frequency Range	17.6-26.7GHz	Impedance	50 ohm	VSWR	1.2 max
Input Avg Power	10W @25°C	Peak Power	3000W	Insertion Loss	0.3 dB max

Mechanical & Product Information

Product Number	RWR42KM, H-Grade	Body Geometry	Right Angle
Waveguide Body	Copper, grey painted	Waveguide	WR42, UBR220 Flange
Connector Body	Passivated stainless steel	Coax Connector	2.92mm(K,SK) Male
Center Contact	Gold plated beryllium copper		
Operating Temp	-40°C to 70°C	Net Weight	About 61.5g



Right Angle Waveguide to Coaxial Adapter, RWR42KM
17.6-26.7GHz, WR42 to 2.92mm(K,SK) Male, UBR220 Flange

Typical Test Data

