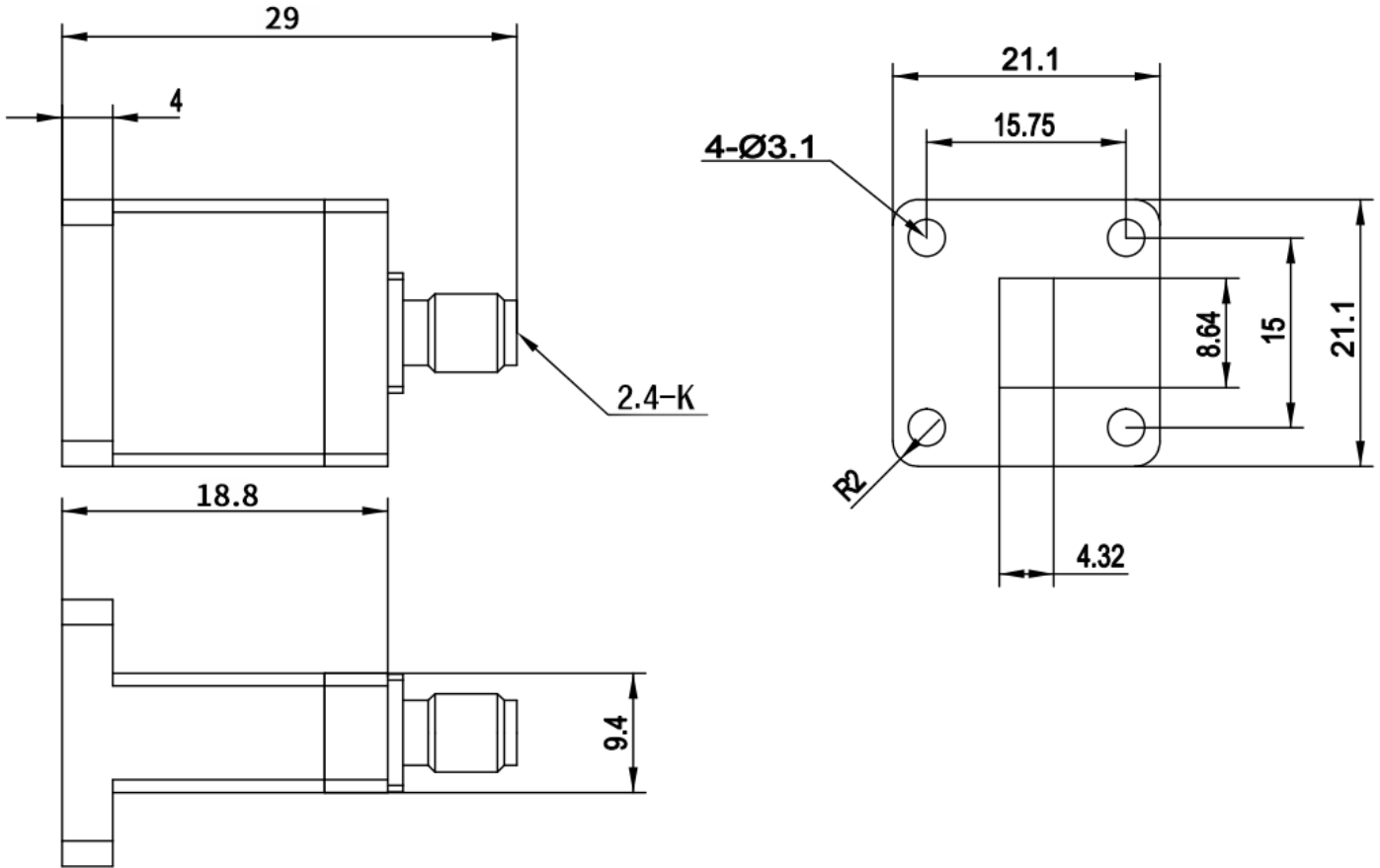




## End Launch Waveguide to Coaxial Adapter, RWR34UE 21.7-33GHz, WR34 to 2.4mm Female, FBP260(UBR) Flange

### Dimensions(mm) Tolerance $\pm 1\%$



### Electrical & Environmental

Frequency Range	21.7-33GHz	Impedance	50 ohm	VSWR	1.2 max
Input Avg Power	5W @25°C	Peak Power	1000WW	Insertion Loss	0.35 dB max

### Mechanical & Product Information

Product Number	RWR34UE, H-Grade	Body Geometry	End Launch
Waveguide Body	Copper, grey painted	Waveguide	WR34, FBP260(UBR) Flange
Connector Body	Passivated stainless steel	Coax Connector	2.4mm Female
Center Contact	Gold plated beryllium copper		
Operating Temp	-40°C to 70°C	Net Weight	-



**End Launch Waveguide to Coaxial Adapter, RWR34UE**  
**WR34 to 2.4mm Female, FBP260(UBR) Flange**

**Typical Test Data**

