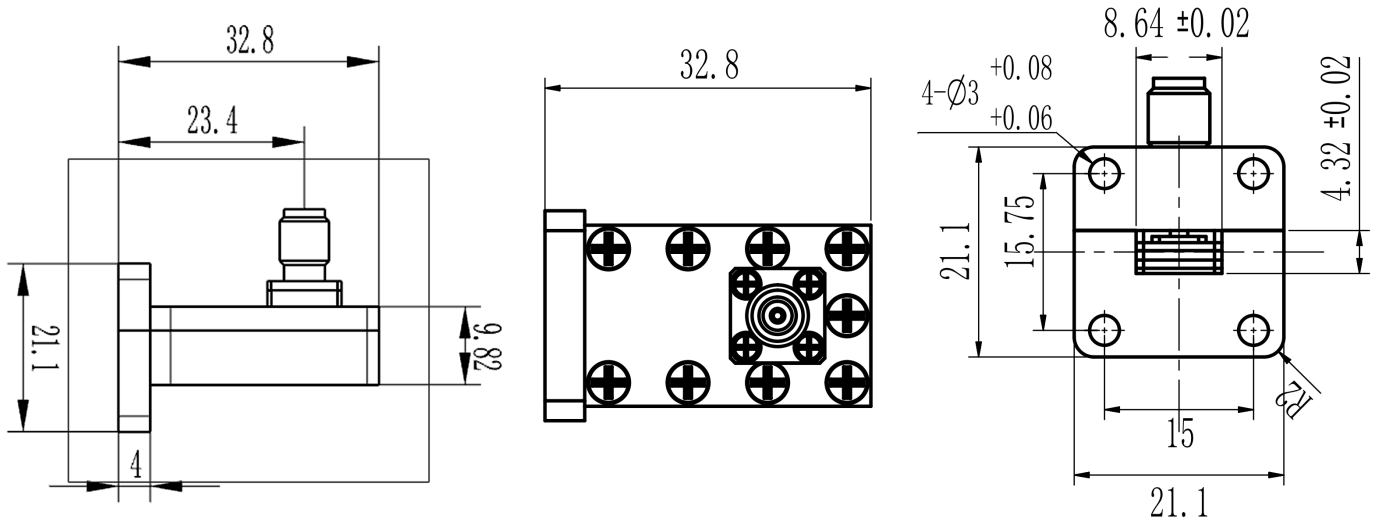




## Right Angle Waveguide to Coaxial Adapter, **RWR34K** 21.7-33GHz, WR34 to 2.92mm Female, UBR260 Flange

### Dimensions(mm) Tolerance $\pm 1\%$



### Electrical & Environmental

Frequency Range	21.7-33GHz	Impedance	50 ohm	VSWR	1.2 max
Input Avg Power	10W @25°C	Peak Power	1000W	Insertion Loss	0.35 dB max

### Mechanical & Product Information

Product Number	RWR34K, H-Grade	Body Geometry	Right Angle
Waveguide Body	Copper, grey painted	Waveguide	WR34, UBR260 Flange
Connector Body	Passivated stainless steel	Coax Connector	2.92mm(K,SK) Female
Center Contact	Gold plated beryllium copper		
Operating Temp	-40°C to 70°C	Net Weight	About 53.5g



## Right Angle Waveguide to Coaxial Adapter, RWR34K 21.7-33GHz, WR34 to 2.92mm(K,SK) Female, UBR260 Flange

### Typical Test Data

