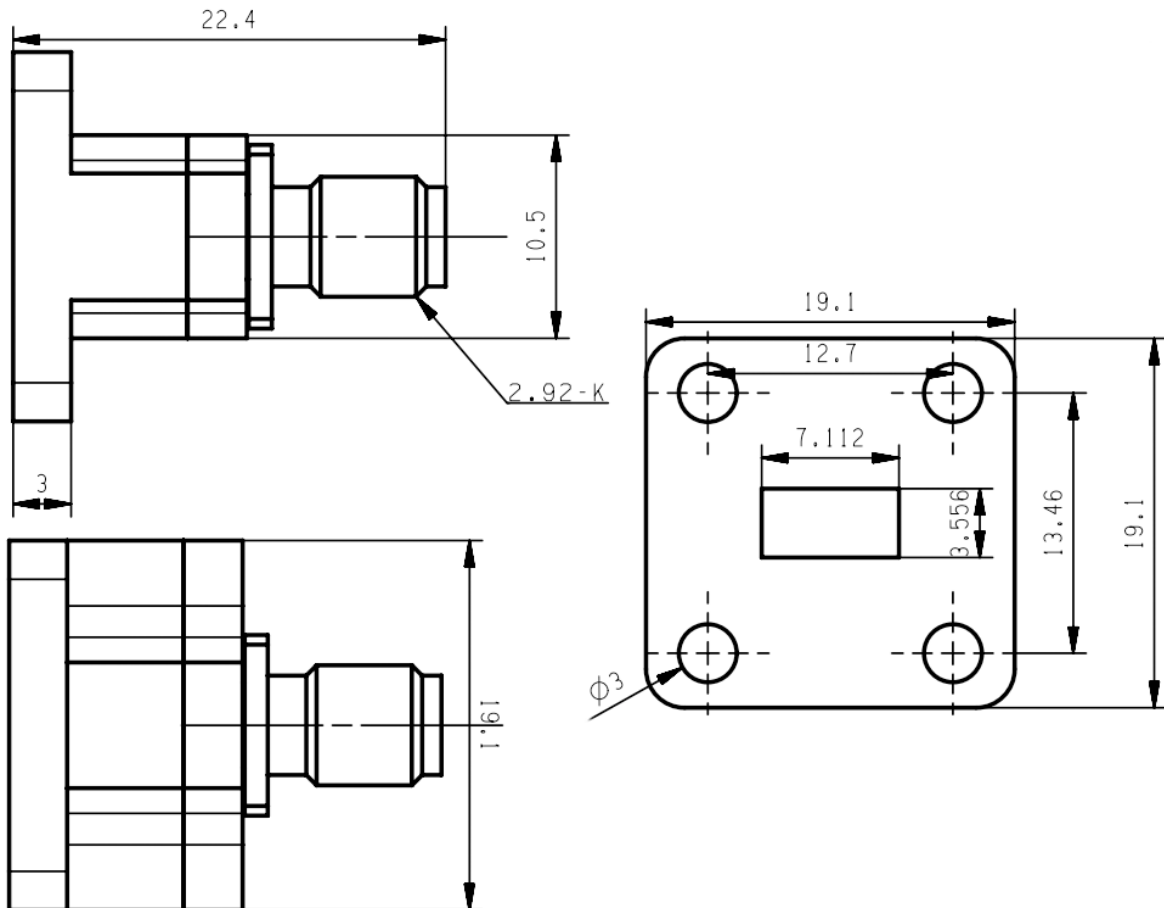




End Launch Waveguide to Coaxial Adapter, RWR28KE 26.3-40GHz, WR28 to 2.92mm Female, UBR320 Flange

Dimensions(mm) Tolerance $\pm 1\%$



Electrical & Environmental

Frequency Range	26.3-40GHz	Impedance	50 ohm	VSWR	1.2 max
Input Avg Power	10W @25°C	Peak Power	3000W	Insertion Loss	0.35 dB max

Mechanical & Product Information

Product Number	RWR28KE, H-Grade	Body Geometry	End Launch
Waveguide Body	Copper, grey painted	Waveguide	WR28, UBR320 Flange
Connector Body	Passivated stainless steel	Coax Connector	2.92mm(K,SK) Female
Center Contact	Gold plated beryllium copper		
Operating Temp	-40°C to 70°C	Net Weight	About 20.4g



End Launch Waveguide to Coaxial Adapter, RWR28KE
26.3-40GHz, WR28 to 2.92mm(K,SK) Female, UBR320 Flange

Typical Test Data

