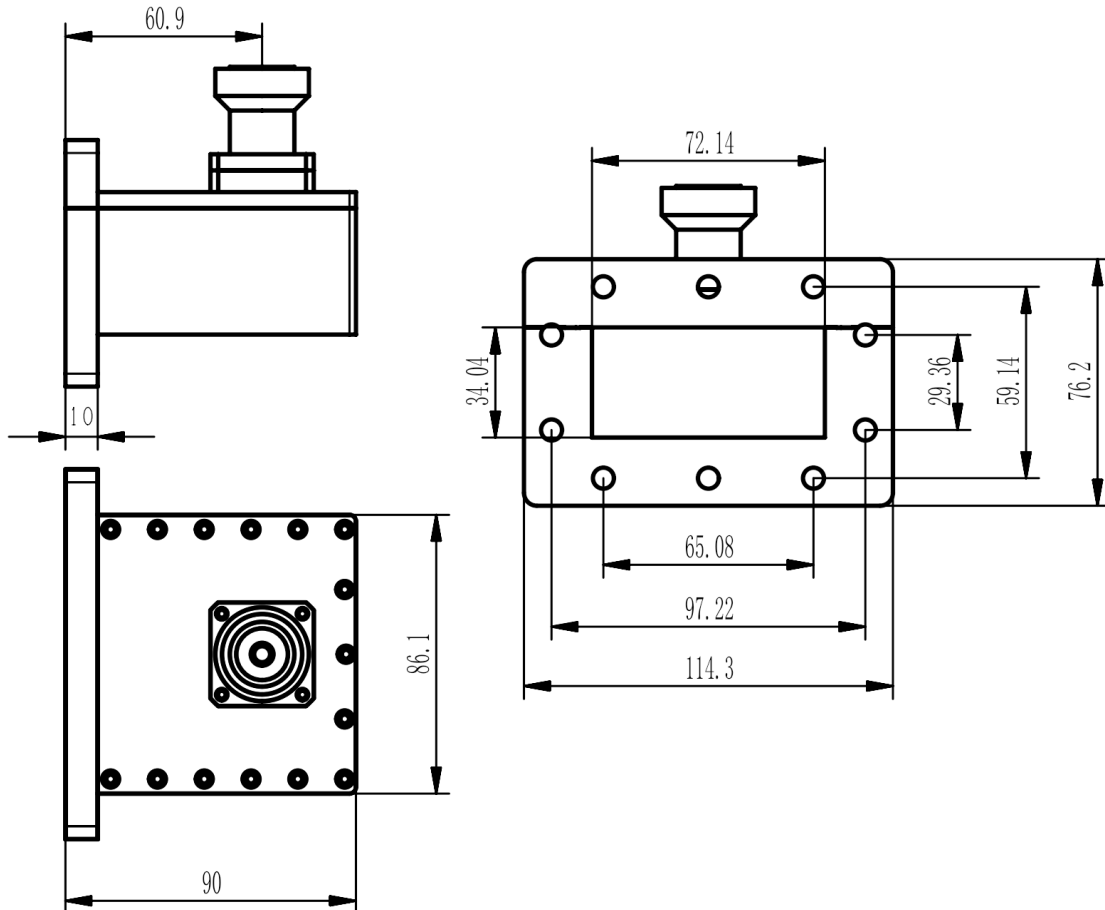




Right Angle Waveguide to Coaxial Adapter, RWR284D 2.6-3.95GHz, WR284 to L29 Female, UDR32 Flange

Dimensions(mm) Tolerance $\pm 1\%$



Electrical & Environmental

Frequency Range	2.6-3.95GHz	Impedance	50 ohm	VSWR	1.2 max
Input Avg Power	1000W @25°C	Peak Power	-	Insertion Loss	0.3 dB max

Mechanical & Product Information

Product Number	RWR284D, H-Grade	Body Geometry	Right Angle
Waveguide Body	Aluminum, grey painted	Waveguide	WR284, UDR32 Flange
Connector Body	Nickel plated brass	Coax Connector	L29(DIN 7/16) Female
Center Contact	Gold plated beryllium copper		
Operating Temp	-40°C to 70°C	Net Weight	About 664.0g