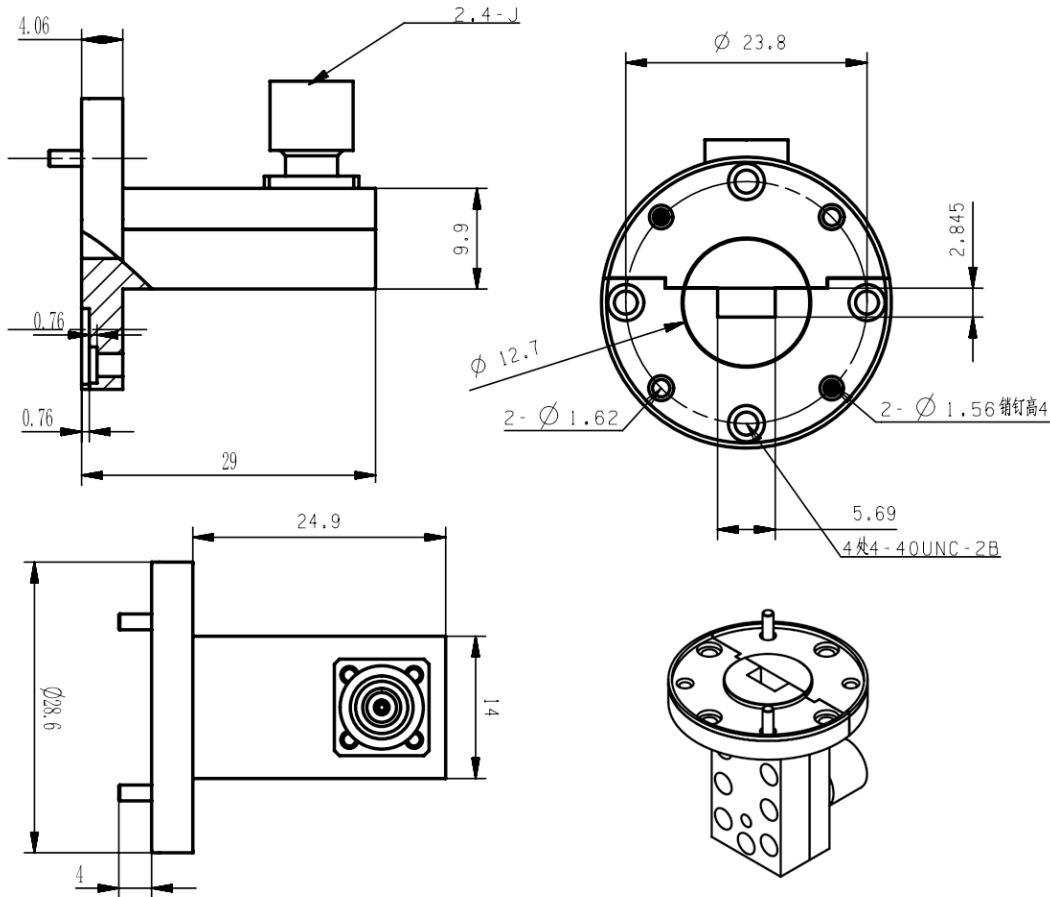




## Right Angle Waveguide to Coaxial Adapter, RWR22UM 32.9-50.1GHz, WR22 to 2.4mm Male, FUGP400 Flange

### Dimensions(mm) Tolerance±1%



### Electrical & Environmental

Frequency Range	32.9-50.1GHz	Impedance	50 ohm	VSWR	1.2 max
Input Avg Power	10W @25°C	Peak Power	1000W	Insertion Loss	0.3 dB max

### Mechanical & Product Information

Product Number	RWR22UM, H-Grade	Body Geometry	Right Angle
Waveguide Body	Copper, gold plated	Waveguide	WR22, FUGP400 Flange
Connector Body	Passivated stainless steel	Coax Connector	2.4mm Male
Center Contact	Gold plated beryllium copper		
Operating Temp	-40°C to 70°C	Net Weight	About 45.5g



**Right Angle Waveguide to Coaxial Adapter, RWR22UM**  
**32.9-50.1GHz, WR22 to 2.4mm Male, FUGP400 Flange**

**Typical Test Data**

