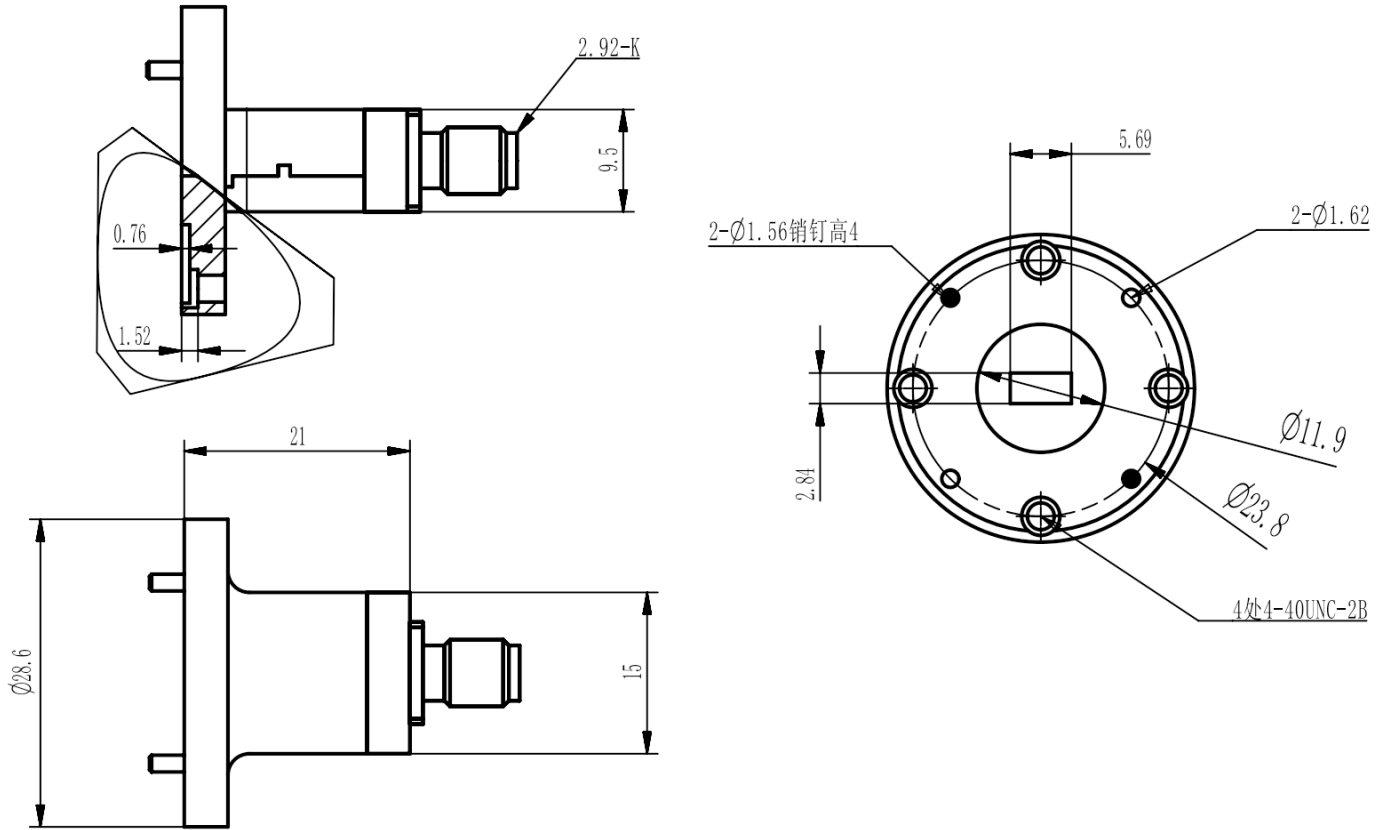


End Launch Waveguide to Coaxial Adapter, RWR22KE WR22 to 2.92mm Female, FUGP400 Circular Flange

Dimensions(mm) Tolerance $\pm 1\%$



Electrical & Environmental

Frequency Range	32.9-40GHz	Impedance	50 ohm	VSWR	1.2 max
Input Avg Power	10W @25°C	Peak Power	1000W	Insertion Loss	0.4 dB max

Mechanical & Product Information

Product Number	RWR22KE, H-Grade	Body Geometry	End Launch
Waveguide Body	Copper, gold plated	Waveguide	WR22, FUGP400 Circular Flange
Connector Body	Passivated stainless steel	Coax Connector	2.92mm Female
Center Contact	Gold plated beryllium copper		
Operating Temp	-40°C to 70°C	Net Weight	-