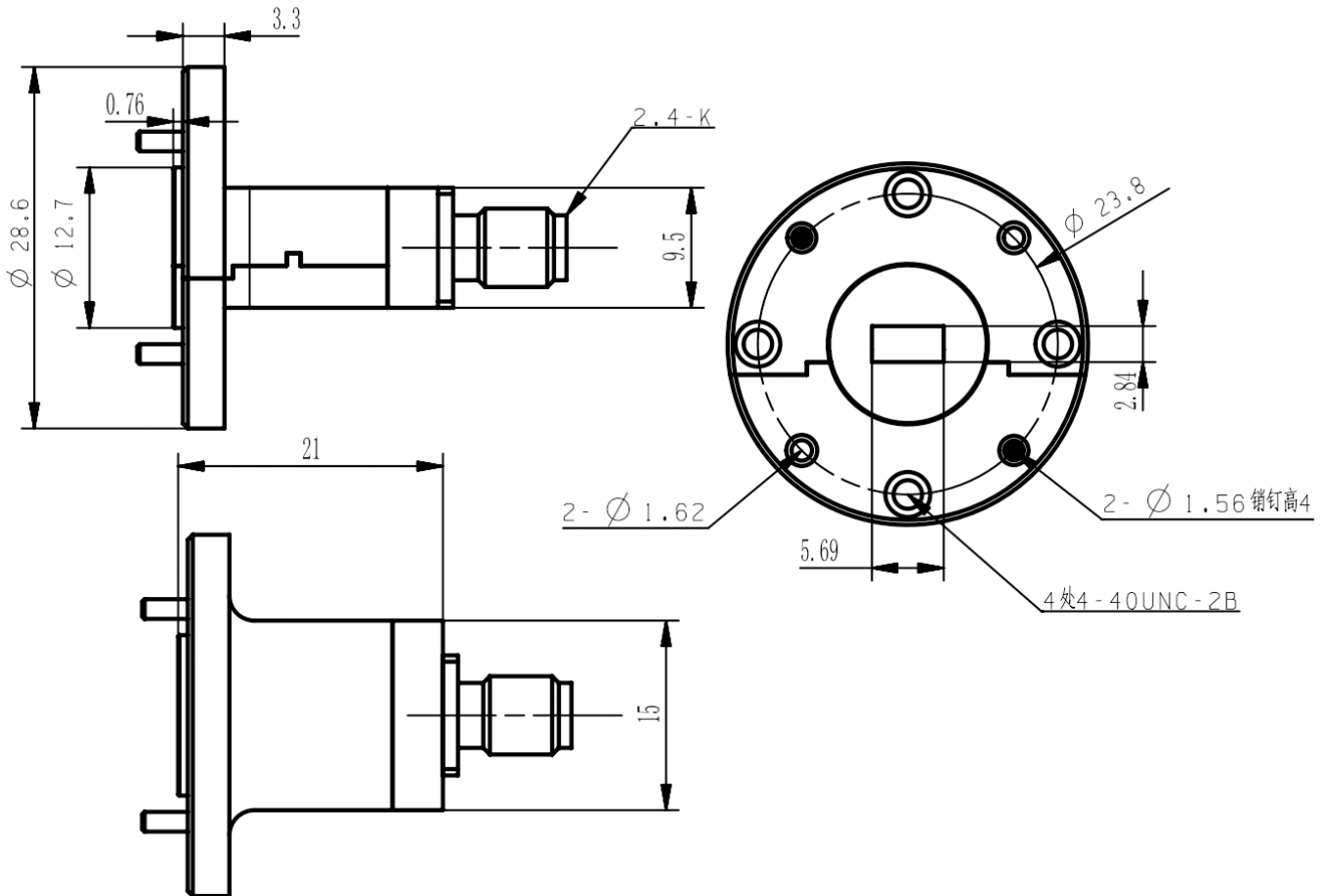




End Launch Waveguide to Coaxial Adapter, RWR2224E 32.9-50.1GHz, WR22 to 2.4mm Female, FUGP400 Flange

Dimensions(mm) Tolerance±1%



Electrical & Environmental

Frequency Range	32.9-50.1GHz	Impedance	50 ohm	VSWR	1.3 max
Input Avg Power	10W @25°C	Peak Power	1000W	Insertion Loss	0.5 dB max

Mechanical & Product Information

Product Number	RWR2224E, H-Grade	Body Geometry	End Launch
Waveguide Body	Copper, gold plated	Waveguide	WR22, FUGP400 Flange
Connector Body	Passivated stainless steel	Coax Connector	2.4mm Female
Center Contact	Gold plated beryllium copper		
Operating Temp	-40°C to 70°C	Net Weight	About 40.0g



End Launch Waveguide to Coaxial Adapter, RWR2224E
32.9-50.1GHz, WR22 to 2.4mm Female, FUGP400 Flange

Typical Test Data

