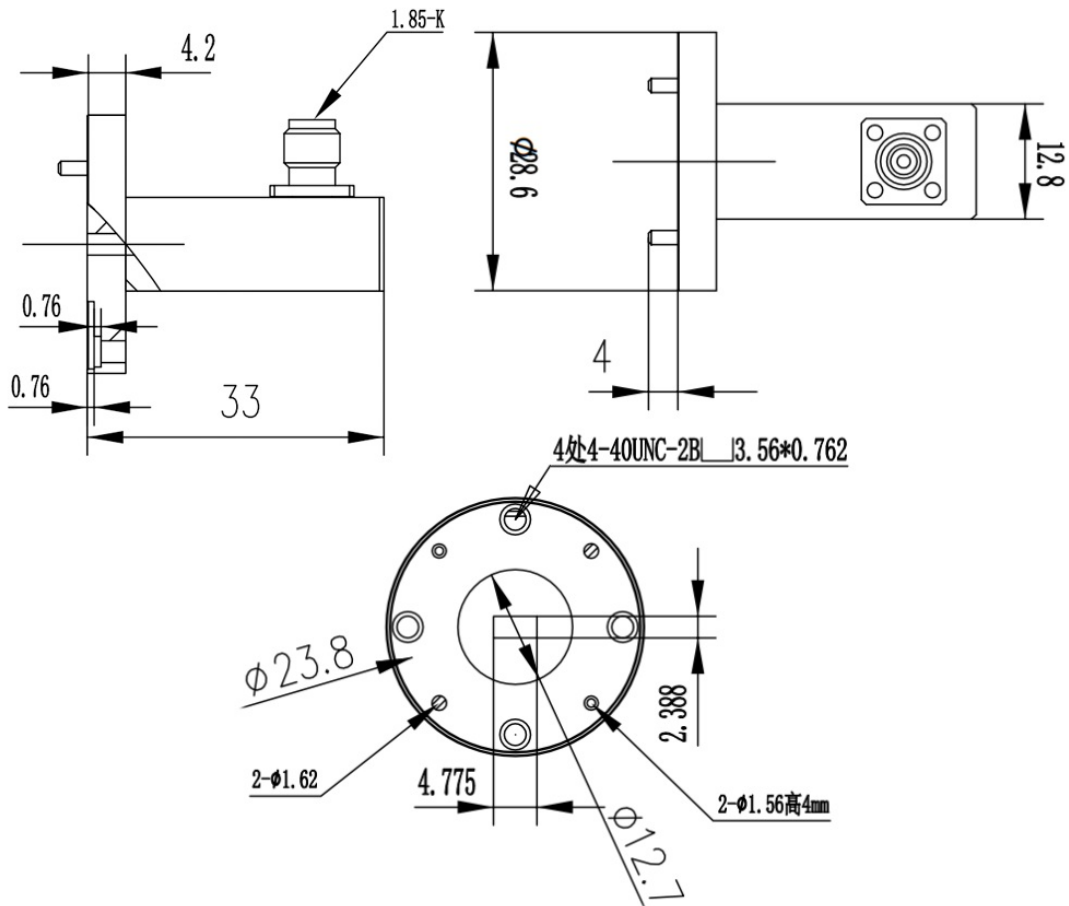




Right Angle Waveguide to Coaxial Adapter, **RWR19185** 39.2-59.6GHz, WR19 to 1.85mm Female, FUGP500 Flange

Dimensions(mm) Tolerance $\pm 1\%$



Electrical & Environmental

| | | | | | |
|-----------------|--------------|------------|--------|----------------|------------|
| Frequency Range | 39.2-59.6GHz | Impedance | 50 ohm | VSWR | 1.3 max |
| Input Avg Power | 10W @25°C | Peak Power | 1000W | Insertion Loss | 0.3 dB max |

Mechanical & Product Information

| | | | |
|----------------|------------------------------|----------------|----------------------|
| Product Number | RWR19185, H-Grade | Body Geometry | Right Angle |
| Waveguide Body | Copper, gold plated | Waveguide | WR19, FUGP500 Flange |
| Connector Body | Passivated stainless steel | Coax Connector | 1.85mm Female |
| Center Contact | Gold plated beryllium copper | | |
| Operating Temp | -40°C to 70°C | Net Weight | About 45.9g |



Right Angle Waveguide to Coaxial Adapter, **RWR19185** 39.2-59.6GHz, WR19 to 1.85mm Female, FUGP500 Flange

Typical Test Data

