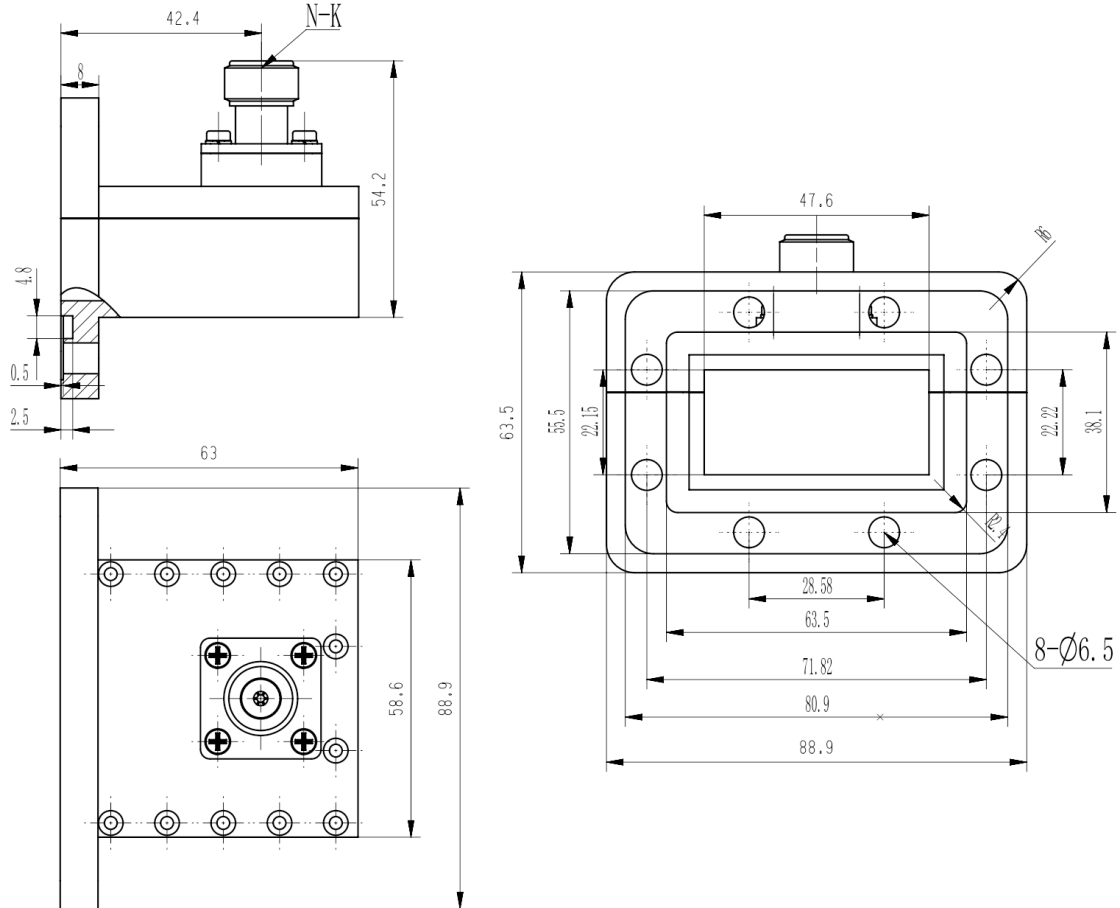


Right Angle Waveguide to Coaxial Adapter, RWR187NG WR187 to N Female, FDM48(PDR) Flange

Dimensions(mm) Tolerance $\pm 1\%$



Electrical & Environmental

Frequency Range	3.94-5.99GHz	Impedance	50 ohm	VSWR	1.2 max
Input Avg Power	300W @25°C	Peak Power	3000W	Insertion Loss	0.2 dB max

Mechanical & Product Information

Product Number	RWR187NG, H-Grade, Sealing ring	Body Geometry	Right Angle
Waveguide Body	Aluminum, grey painted	Waveguide	WR187, FDM48(PDR) Flange
Connector Body	Passivated stainless steel	Coax Connector	N Female
Center Contact	Gold plated beryllium copper		
Operating Temp	-40°C to 70°C	Net Weight	-