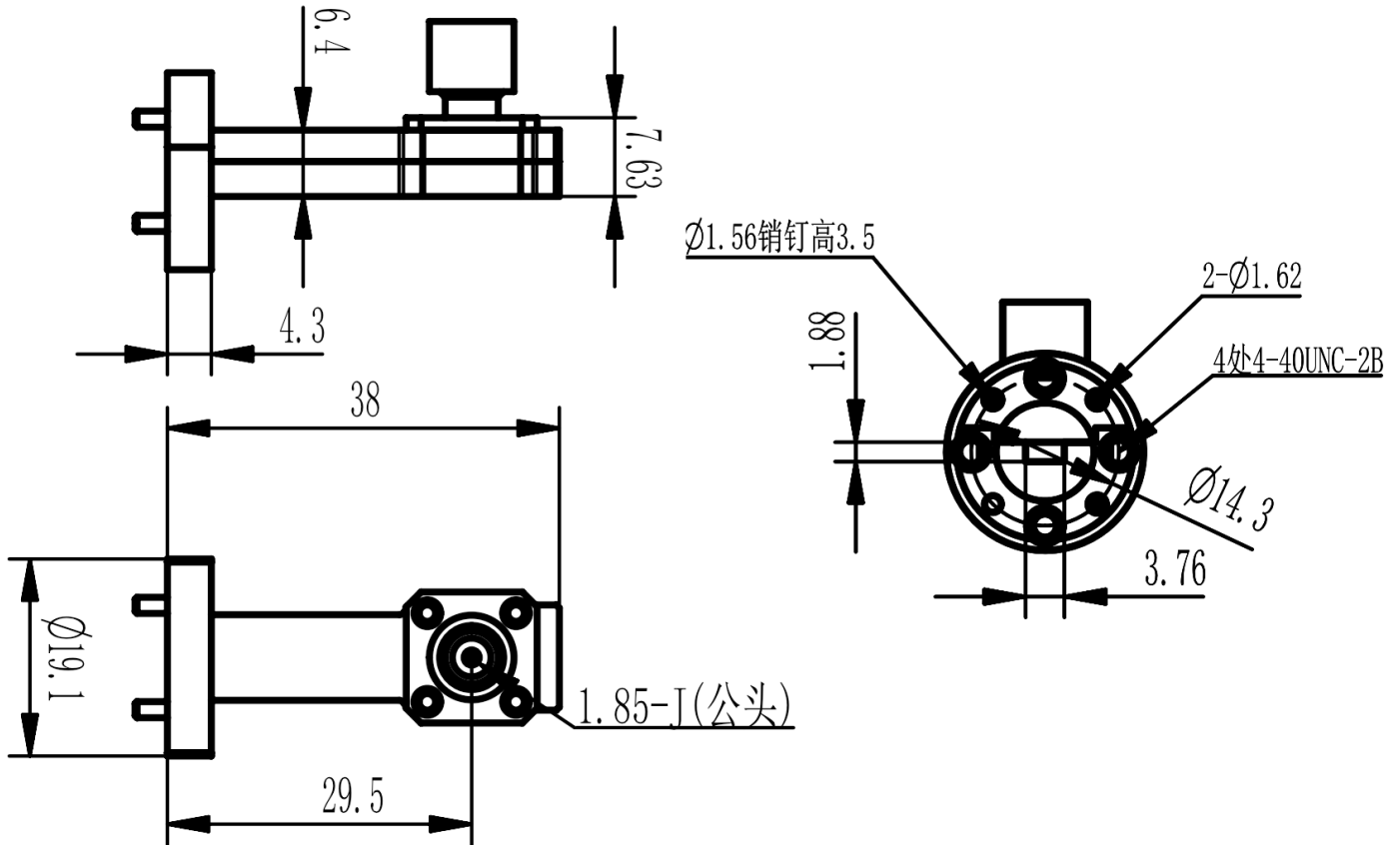




Right Angle Waveguide to Coaxial Adapter, RWR15VM 49.8-70GHz, WR15 to 1.85mm Male, FUGP620 Flange

Dimensions(mm) Tolerance $\pm 1\%$



Electrical & Environmental

Frequency Range	49.8-70GHz	Impedance	50 ohm	VSWR	1.35 max
Input Avg Power	8W @25°C	Peak Power	1000W	Insertion Loss	0.8 dB max

Mechanical & Product Information

Product Number	RWR15VM, H-Grade	Body Geometry	Right Angle
Waveguide Body	Copper, gold plated	Waveguide	WR15, FUGP620 Flange
Connector Body	Passivated stainless steel	Coax Connector	1.85mm Male
Center Contact	Gold plated beryllium copper		
Operating Temp	-40°C to 70°C	Net Weight	About 29.0g



Right Angle Waveguide to Coaxial Adapter, RWR15VM
49.8-70GHz, WR15 to 1.85mm Male, FUGP620 Flange

Typical Test Data

