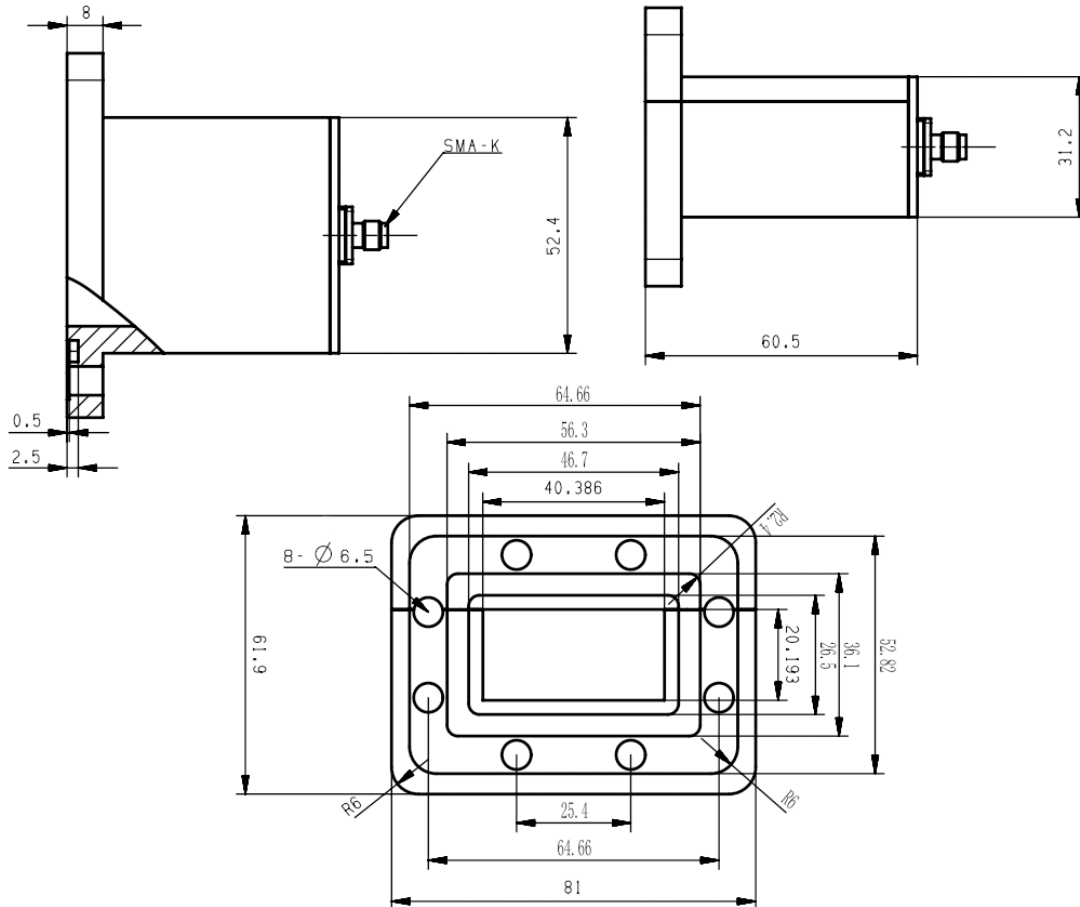


End Launch Waveguide to Coaxial Adapter, RWR159SEG 4.64-7.05GHz, WR159 to SMA Female, PDR58 Flange

Dimensions(mm) Tolerance $\pm 1\%$



Electrical & Environmental

Frequency Range	4.64-7.05GHz	Impedance	50 ohm	VSWR	1.2 max
Input Avg Power	100W @25°C	Peak Power	2000W	Insertion Loss	0.3 dB max

Mechanical & Product Information

Product Number	RWR159SEG, H-Grade, Sealing ring	Body Geometry	End Launch
Waveguide Body	Aluminum, grey painted	Waveguide	WR159, PDR58 Flange
Connector Body	Passivated stainless steel	Coax Connector	SMA Female
Center Contact	Gold plated beryllium copper		
Operating Temp	-40°C to 70°C	Net Weight	-