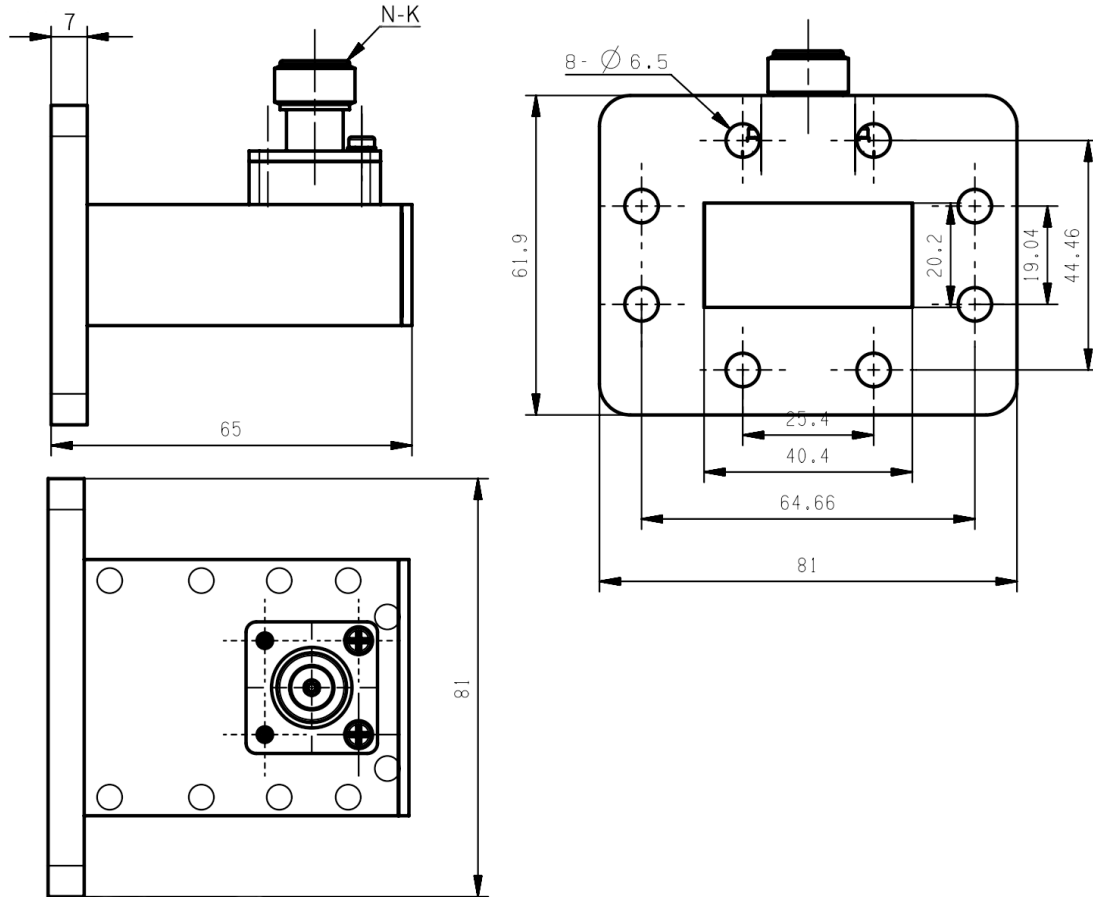




Right Angle Waveguide to Coaxial Adapter, RWR159N 4.64-7.05GHz, WR159 to N Female, FDP58(UDR) Flange

Dimensions(mm) Tolerance $\pm 1\%$



Electrical & Environmental

Frequency Range	4.64-7.05GHz	Impedance	50 ohm	VSWR	1.2 max
Input Avg Power	200W @25°C	Peak Power	3000W	Insertion Loss	0.3 dB max

Mechanical & Product Information

Product Number	RWR159N, H-Grade	Body Geometry	Right Angle
Waveguide Body	Aluminum, grey painted	Waveguide	WR159, FDP58(UDR) Flange
Connector Body	Passivated stainless steel	Coax Connector	N Female
Center Contact	1.27 μ m Gold plated beryllium copper		
Operating Temp	-40°C to 70°C	Net Weight	About 235.5g



Right Angle Waveguide to Coaxial Adapter, RWR159N WR159 to N Female, FDP58(UDR) Flange

Typical Test Data

