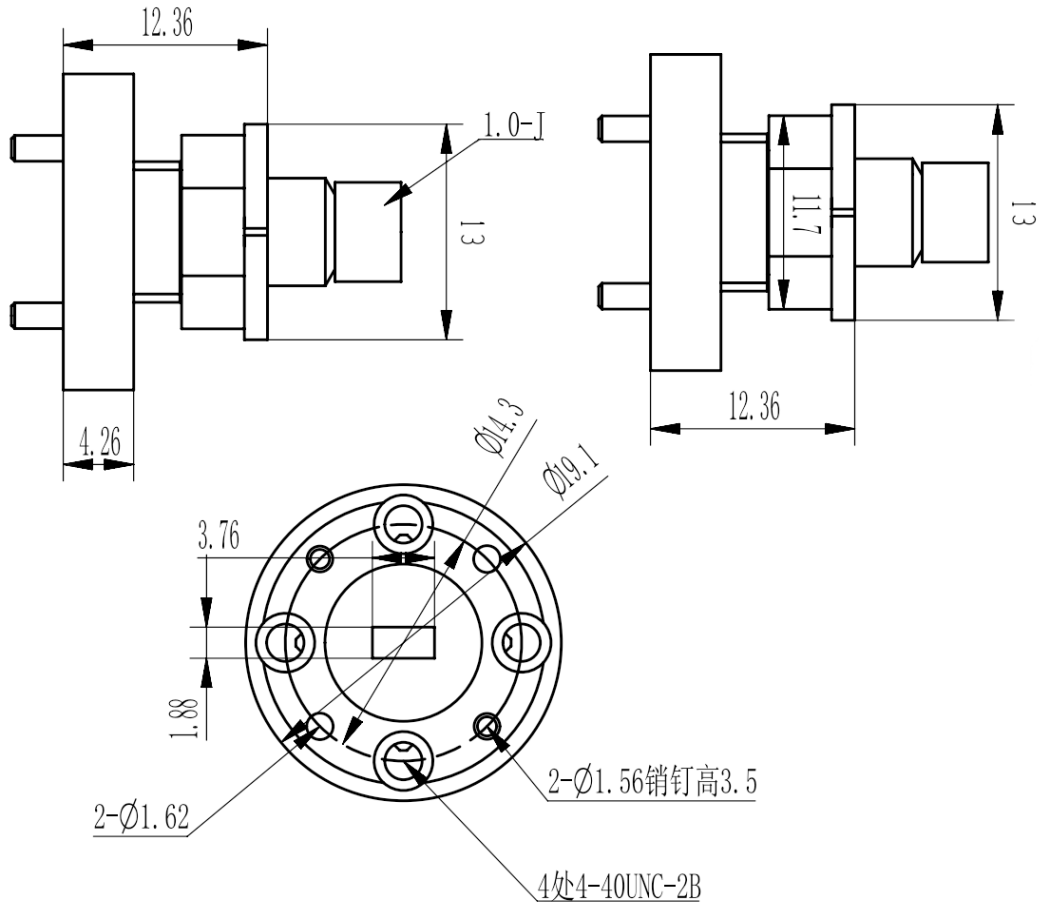


## End Launch Waveguide to Coaxial Adapter, RWR151ME 49.8-75.8GHz, WR15 to 1.0mm Male, FUGP620 Flange

### Dimensions(mm) Tolerance±1%



### Electrical & Environmental

Frequency Range	49.8-75.8GHz	Impedance	50 ohm	VSWR	1.4 max
Input Avg Power	1W @25°C	Peak Power	-	Insertion Loss	1 dB max

### Mechanical & Product Information

Product Number	RWR151ME, H-Grade	Body Geometry	End Launch
Waveguide Body	Copper, gold plated	Waveguide	WR15, FUGP620 Flange
Connector Body	Passivated stainless steel	Coax Connector	1.0mm Male
Center Contact	Gold plated beryllium copper		
Operating Temp	-40°C to 70°C	Net Weight	-