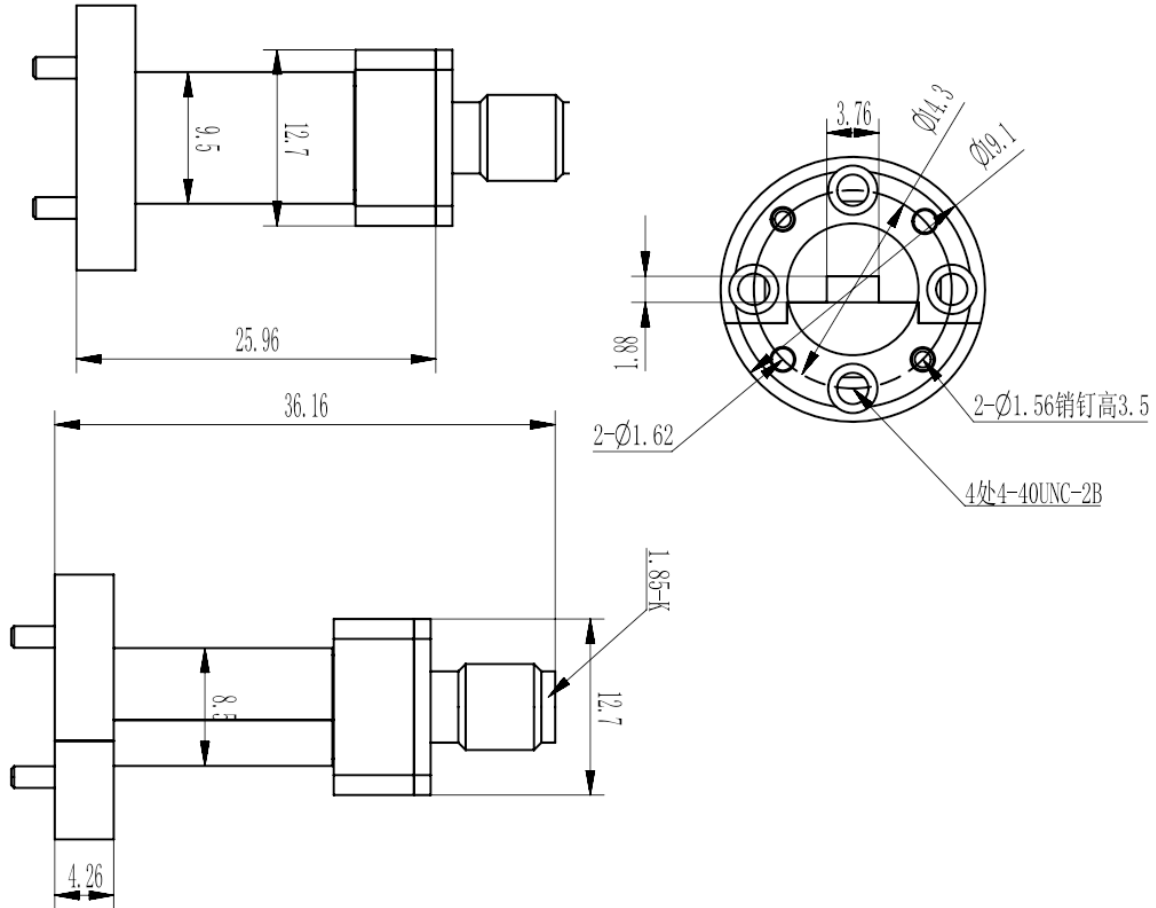




## End Launch Waveguide to Coaxial Adapter, RWR15185E WR15 to 1.85mm Female, FUGP620 Circular Flange

### Dimensions(mm) Tolerance±1%



### Electrical & Environmental

<b>Frequency Range</b>	50-70GHz	<b>Impedance</b>	50 ohm	<b>VSWR</b>	1.35 max
<b>Input Avg Power</b>	8W @25°C	<b>Peak Power</b>	-	<b>Insertion Loss</b>	0.5 dB max

### Mechanical & Product Information

<b>Product Number</b>	RWR15185E, H-Grade	<b>Body Geometry</b>	End Launch
<b>Waveguide Body</b>	Copper, gold plated	<b>Waveguide</b>	WR15, FUGP620 Circular Flange
<b>Connector Body</b>	Passivated stainless steel	<b>Coax Connector</b>	1.85mm Female
<b>Center Contact</b>	Gold plated beryllium copper		
<b>Operating Temp</b>	-40°C to 70°C	<b>Net Weight</b>	About 29.0g



**End Launch Waveguide to Coaxial Adapter, RWR15185E**  
**WR15 to 1.85mm Female, FUGP620 Circular Flange**

**Typical Test Data**

