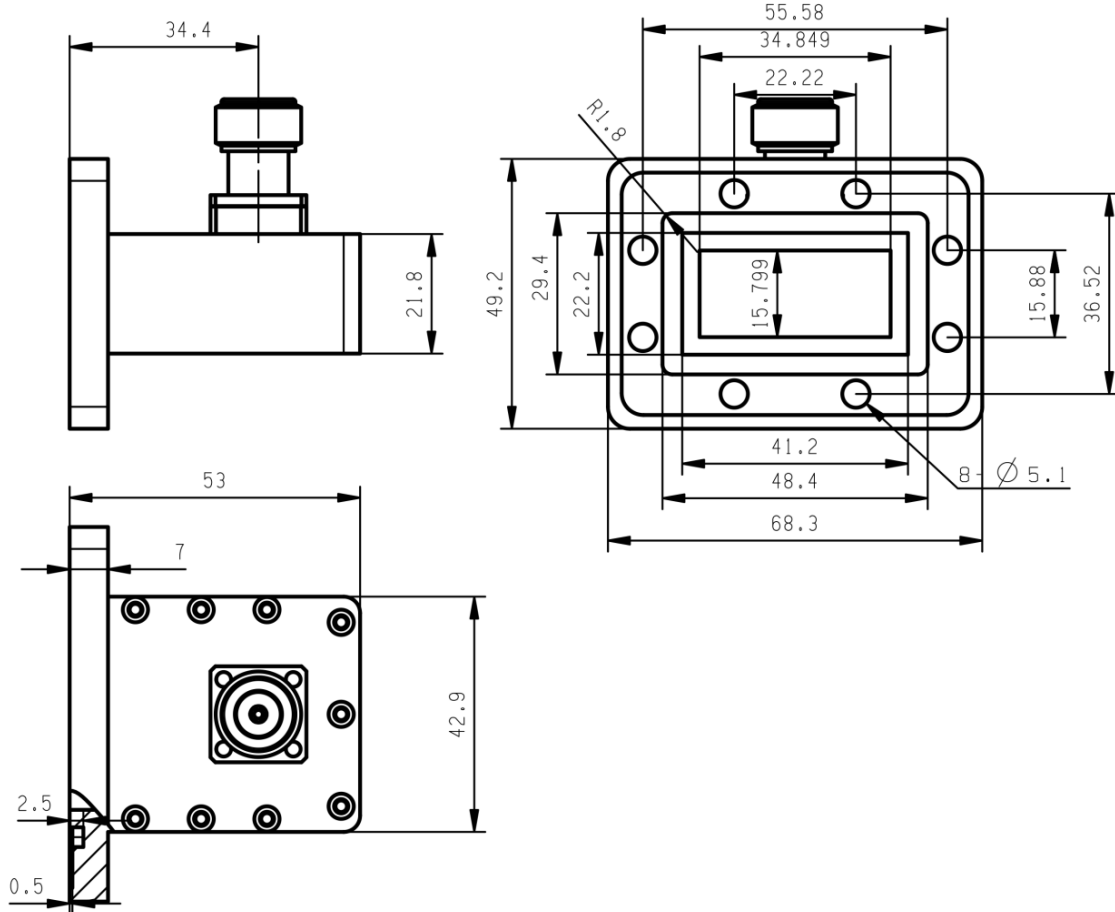




## Right Angle Waveguide to Coaxial Adapter, RWR137NG 5.38-8.17GHz, WR137 to N Female, PDR70 Flange

### Dimensions(mm) Tolerance±1%



### Electrical & Environmental

Frequency Range	5.38-8.17GHz	Impedance	50 ohm	VSWR	1.2 max
Input Avg Power	200W @25°C	Peak Power	3000W	Insertion Loss	00.2 dB max

### Mechanical & Product Information

Product Number	RWR137NG, H-Grade, Sealing ring	Body Geometry	Right Angle
Waveguide Body	Aluminum, grey painted	Waveguide	WR137, PDR70 Flange
Connector Body	Passivated stainless steel	Coax Connector	N Female
Center Contact	1.27 $\mu$ m Gold plated beryllium copper		
Operating Temp	-40°C to 70°C	Net Weight	About 142.5g



**Right Angle Waveguide to Coaxial Adapter, RWR137NG**  
5.38-8.17GHz, WR137 to N Female, PDR70 Flange

**Typical Test Data**

