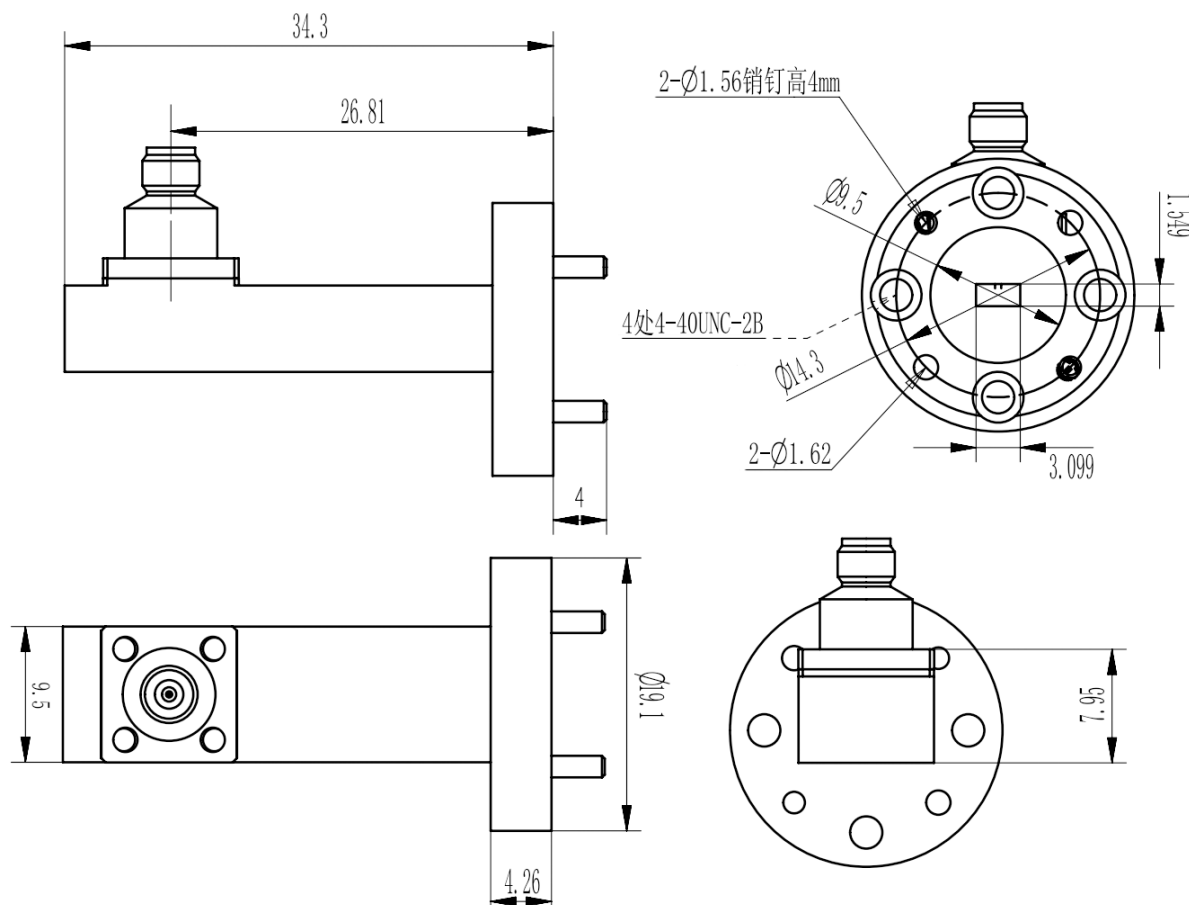




Right Angle Waveguide to Coaxial Adapter, **RWR121** 60.5-91.9GHz, WR12 to 1.0mm Female, FUGP740 Flange

Dimensions(mm) Tolerance $\pm 1\%$



Electrical & Environmental

| | | | | | |
|-----------------|--------------|------------|--------|----------------|----------|
| Frequency Range | 60.5-91.9GHz | Impedance | 50 ohm | VSWR | 1.38 max |
| Input Avg Power | 1W @25°C | Peak Power | - | Insertion Loss | 1 dB max |

Mechanical & Product Information

| | | | |
|----------------|------------------------------|----------------|----------------------|
| Product Number | RWR121, H-Grade | Body Geometry | Right Angle |
| Waveguide Body | Copper, gold plated | Waveguide | WR12, FUGP740 Flange |
| Connector Body | Passivated stainless steel | Coax Connector | 1.0mm Female |
| Center Contact | Gold plated beryllium copper | | |
| Operating Temp | -40°C to 70°C | Net Weight | About 24.2g |



Right Angle Waveguide to Coaxial Adapter, RWR121 60.5-91.9GHz, WR12 to 1.0mm Female, FUGP740 Flange

Typical Test Data

