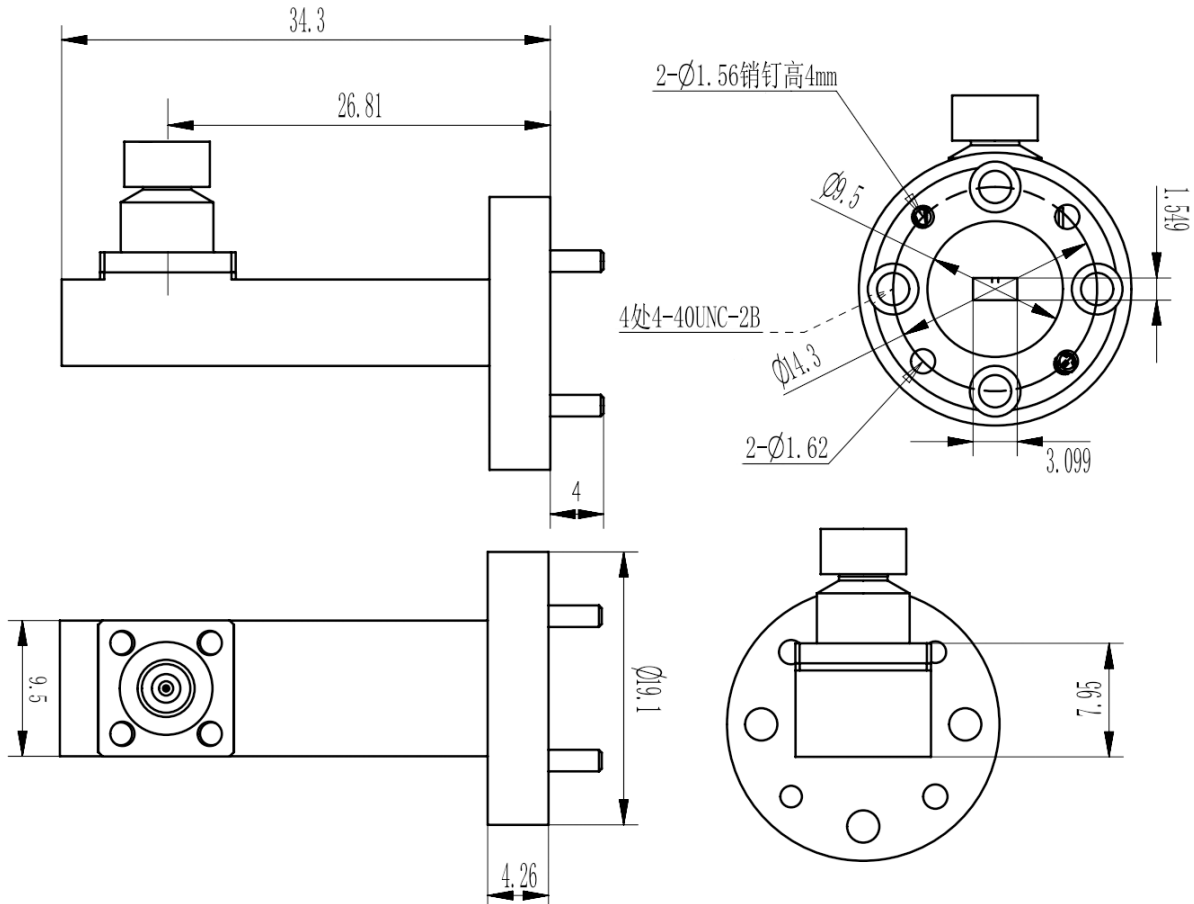


Right Angle Waveguide to Coaxial Adapter, RWR121M 60.5-91.9GHz, WR12 to 1.0mm Male, FUGP740 Circular Flange

Dimensions(mm) Tolerance±1%



Electrical & Environmental

Frequency Range	60.5-91.9GHz	Impedance	50 ohm	VSWR	1.38 max
Input Avg Power	3W @25°C	Peak Power	-	Insertion Loss	1 dB max

Mechanical & Product Information

Product Number	RWR121M, H-Grade	Body Geometry	Right Angle
Waveguide Body	Copper, gold plated	Waveguide	WR12, FUGP740 Circular Flange
Connector Body	Passivated stainless steel	Coax Connector	1.0mm Male
Center Contact	Gold plated beryllium copper		
Operating Temp	-40°C to 70°C	Net Weight	-