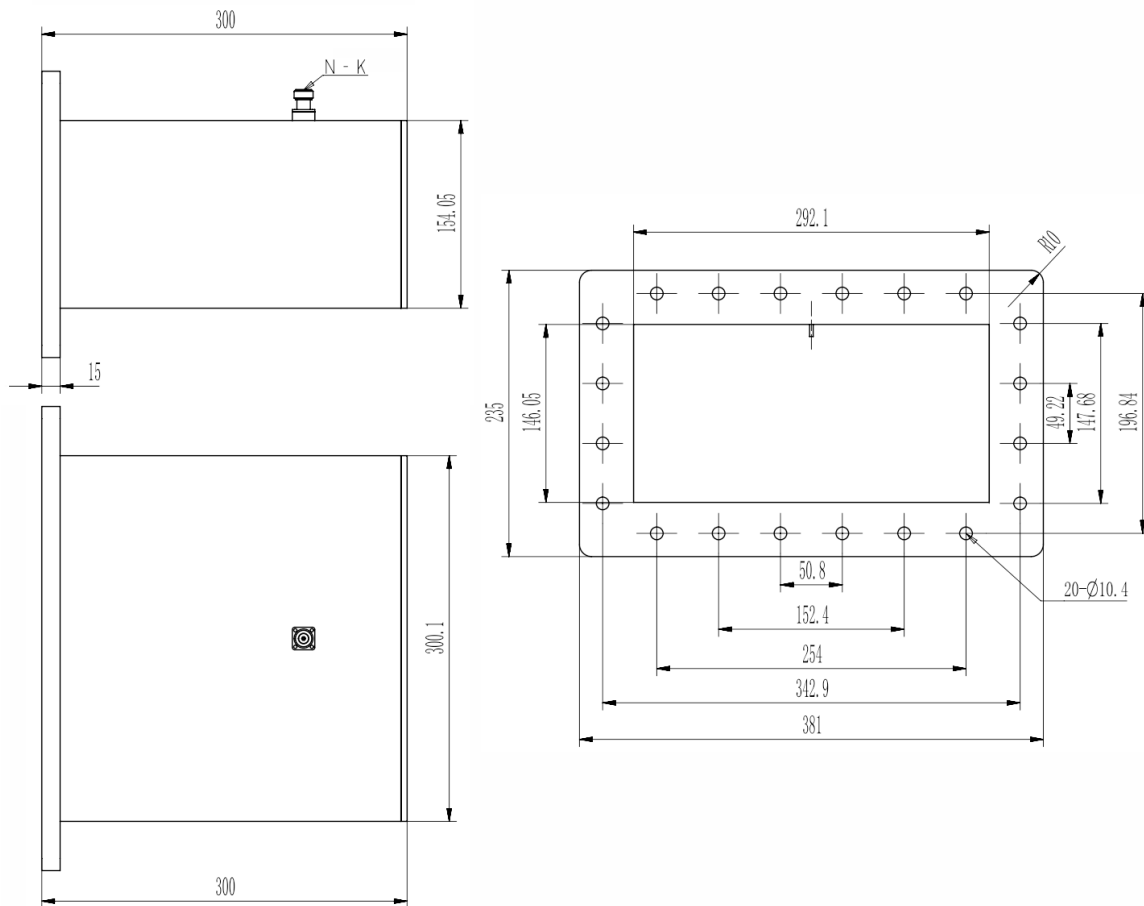


Right Angle Waveguide to Coaxial Adapter, **RWR1150N** 0.64-0.98GHz, WR1150 to N Female, UDR8 Flange

Dimensions(mm) Tolerance $\pm 1\%$

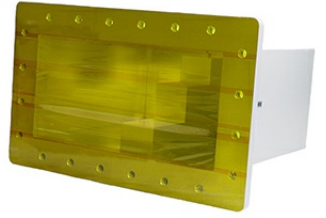


Electrical & Environmental

| | | | | | |
|-----------------|--------------|------------|--------|----------------|-------------|
| Frequency Range | 0.64-0.98GHz | Impedance | 50 ohm | VSWR | 1.3 max |
| Input Avg Power | 2000W @25°C | Peak Power | - | Insertion Loss | 0.15 dB max |

Mechanical & Product Information

| | | | |
|----------------|------------------------------|----------------|---------------------|
| Product Number | RWR1150N, H-Grade | Body Geometry | Right Angle |
| Waveguide Body | Aluminum, grey painted | Waveguide | WR1150, UDR8 Flange |
| Connector Body | Passivated stainless steel | Coax Connector | N Female |
| Center Contact | Gold plated beryllium copper | | |
| Operating Temp | -40°C to 70°C | Net Weight | About 8.1kg |



Right Angle Waveguide to Coaxial Adapter, RWR1150N
0.64-0.98GHz, WR1150 to N Female, UDR8 Flange

Typical Test Data

