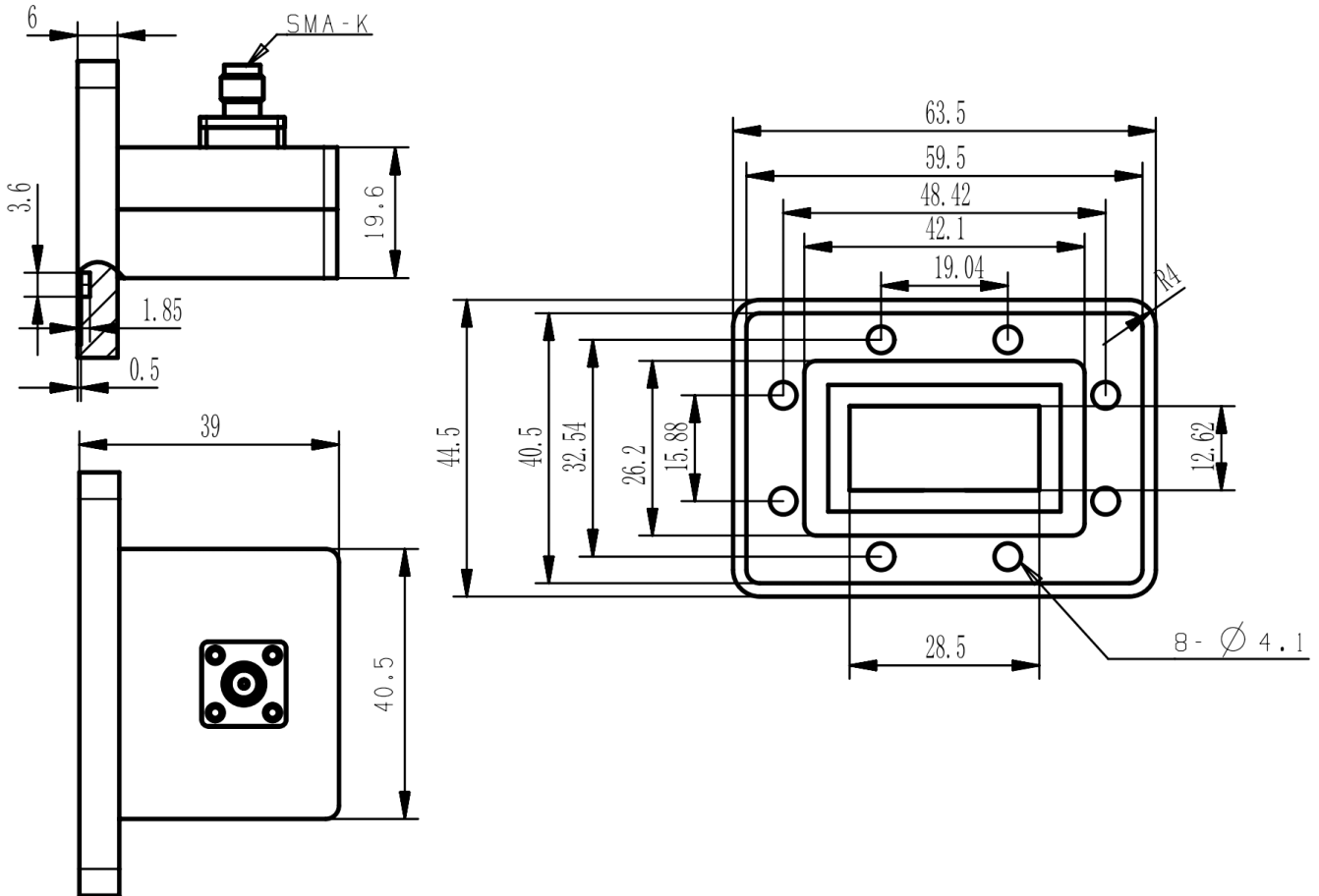




Right Angle Waveguide to Coaxial Adapter, RWR112SG
6.57-9.99GHz, WR112 to SMA Female, PDR84 Flange

Dimensions(mm) Tolerance±1%



Electrical & Environmental

Frequency Range	6.57-9.99GHz	Impedance	50 ohm	VSWR	1.2 max
Input Avg Power	50W @25°C	Peak Power	2000W	Insertion Loss	00.3 dB max

Mechanical & Product Information

Product Number	RWR112SG, H-Grade, Sealing ring	Body Geometry	Right Angle
Waveguide Body	Aluminum, grey painted	Waveguide	WR112, PDR84 Flange
Connector Body	Passivated stainless steel	Coax Connector	SMA Female
Center Contact	1.27μm Gold plated beryllium copper		
Operating Temp	-40°C to 70°C	Net Weight	About 85.5g



Right Angle Waveguide to Coaxial Adapter, RWR112SG
6.57-9.99GHz, WR112 to SMA Female, PDR84 Flange

Typical Test Data

