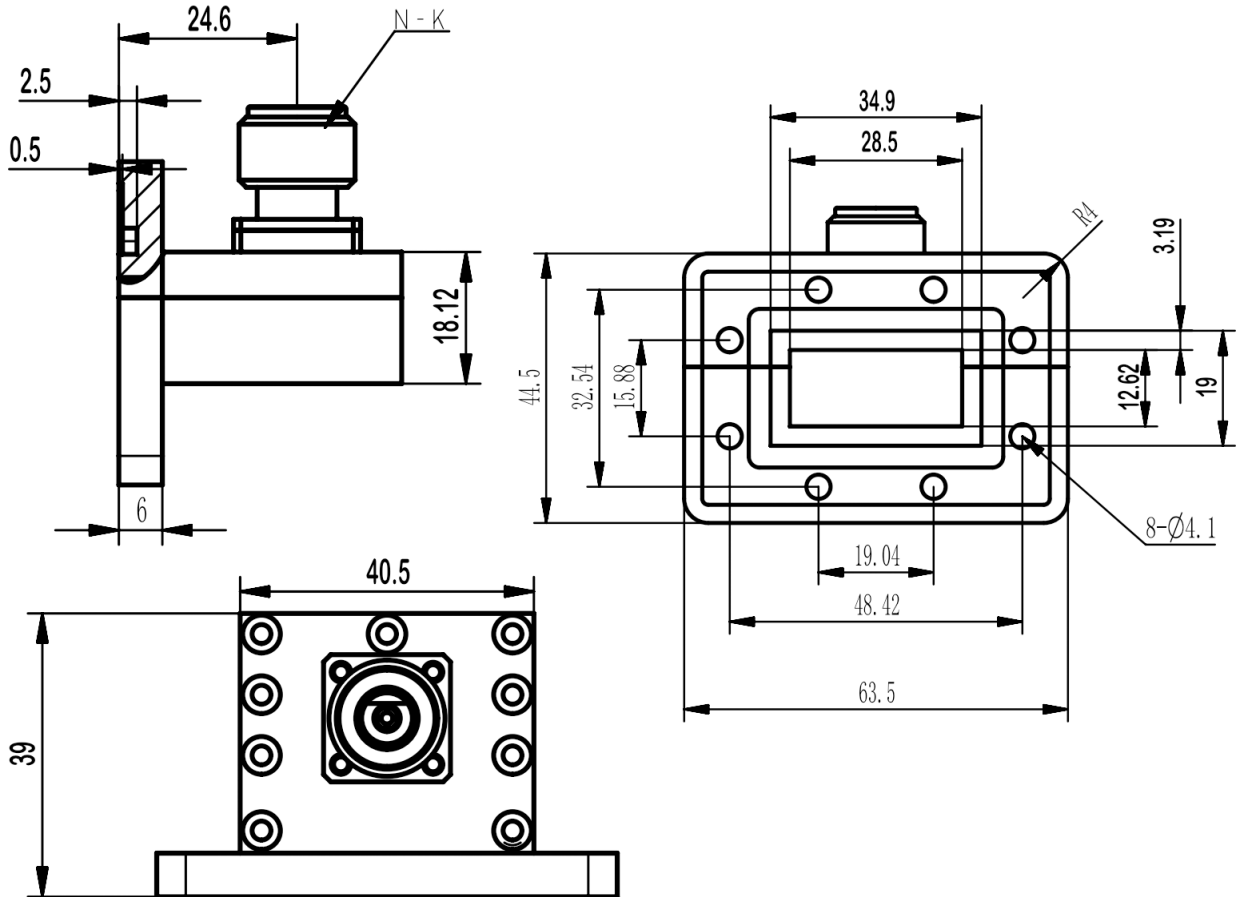




Right Angle Waveguide to Coaxial Adapter, RWR112NG 6.57-9.99GHz, WR112 to N Female, PDR84 Flange

Dimensions(mm) Tolerance±1%



Electrical & Environmental

Frequency Range	6.57-9.99GHz	Impedance	50 ohm	VSWR	1.2 max
Input Avg Power	350W @25°C	Peak Power	3000W	Insertion Loss	00.3 dB max

Mechanical & Product Information

Product Number	RWR112NG, H-Grade, Sealing ring	Body Geometry	Right Angle
Waveguide Body	Aluminum, grey painted	Waveguide	WR112, PDR84 Flange
Connector Body	Passivated stainless steel	Coax Connector	N Female
Center Contact	Gold plated beryllium copper		
Operating Temp	-40°C to 70°C	Net Weight	About 97.8g



Right Angle Waveguide to Coaxial Adapter, RWR112NG
6.57-9.99GHz, WR112 to N Female, PDR84 Flange

Typical Test Data

