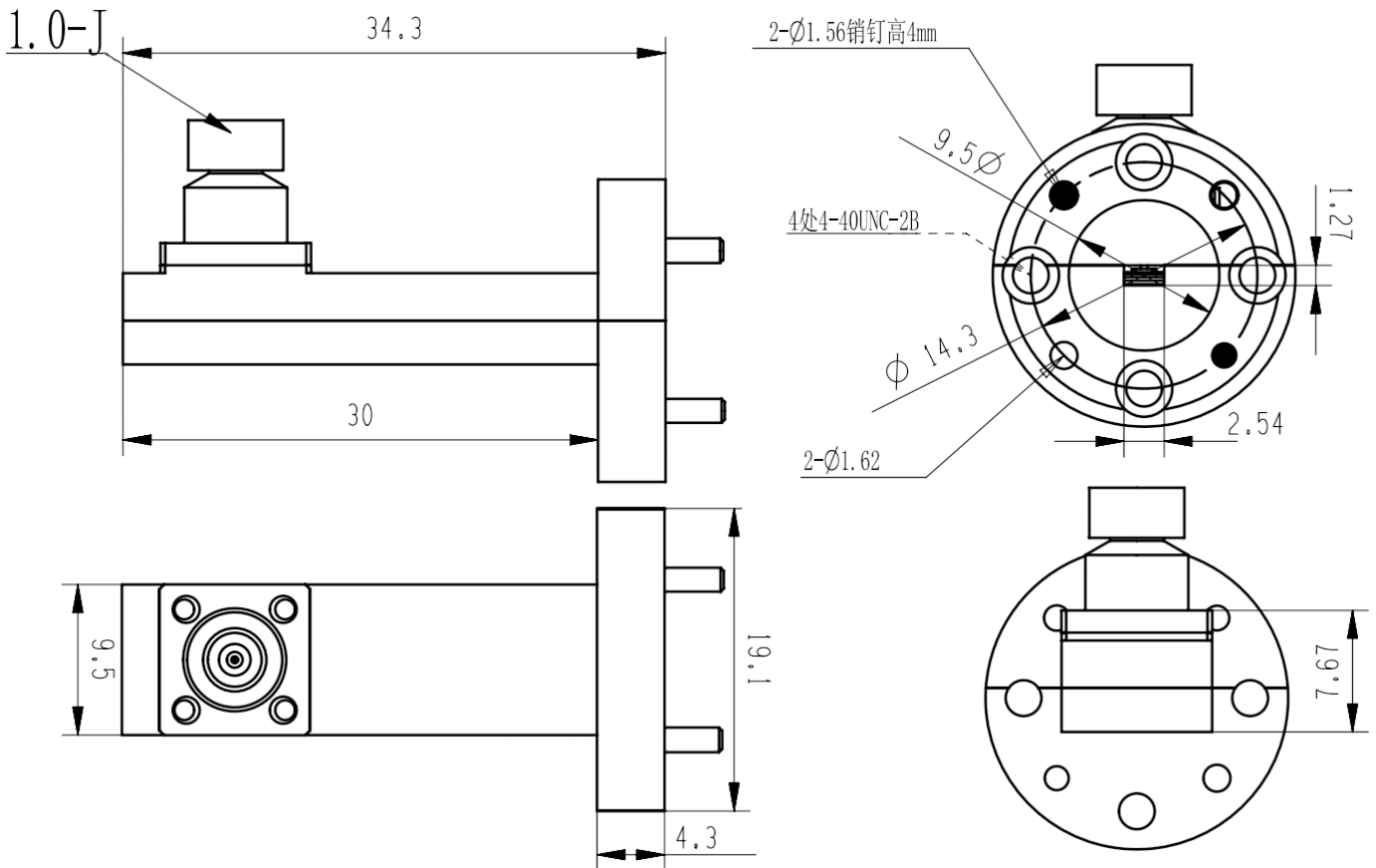


## Right Angle Waveguide to Coaxial Adapter, RWR101M 73.8-112GHz, WR10 to 1.0mm Male, FUGP900 Circular Flange

Dimensions(mm) Tolerance $\pm 1\%$



### Electrical & Environmental

Frequency Range	73.8-112GHz	Impedance	50 ohm	VSWR	1.4 max
Input Avg Power	3W @25°C	Peak Power	-	Insertion Loss	1 dB max

### Mechanical & Product Information

Product Number	RWR101M, H-Grade	Body Geometry	Right Angle
Waveguide Body	Copper, gold plated	Waveguide	WR10, FUGP900 Circular Flange
Connector Body	Passivated stainless steel	Coax Connector	1.0mm Male
Center Contact	Gold plated beryllium copper		
Operating Temp	-40°C to 70°C	Net Weight	-