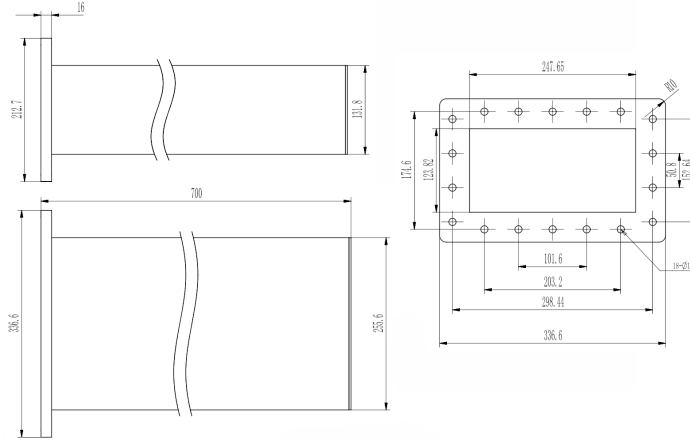


WR975(BJ9) Waveguide Matched Termination, RWT975 0.76-1.15, 25W, FDP9(UDR) Flange, Round

Dimensions(mm) Tolerance±1%



Electrical & Environmental

Frequency Range	0.76-1.15	Impedance	50 ohm	VSWR	1.04 max
Input Avg Power	25W @25°C	Peak Power	-		

Mechanical & Product Information

Product Number	RWT975, H-Grade	Waveguide	WR975(BJ9), FDP9(UDR) Flange
Waveguide Body	Aluminum, grey painted	Heat Sink	N/A
Waveguide Cavity	Aluminum, electric conductive oxidation		
Operating Temp	-55°C~+100°C	Net Weight	-

Typical Test Data

Notes

1. Customized outlines and optimal VSWR available.
2. Refer to the derating curve for power input, derate linearly to 3W at 100°C.
3. To maintain best performance, recommended to use fan to keep the case temp under 85°C.

