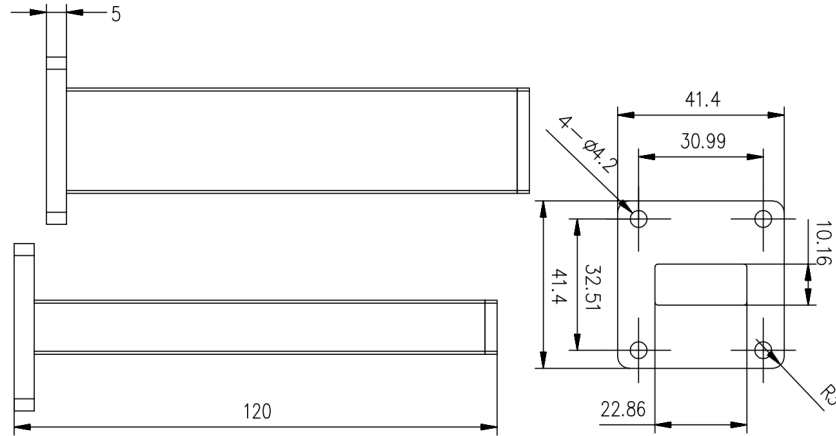




WR90(BJ100) Waveguide Matched Termination, RWT90 8.2-12.5GHz, 4W, FBP100(UBR) Flange, Rectangular

Dimensions(mm) Tolerance±1%



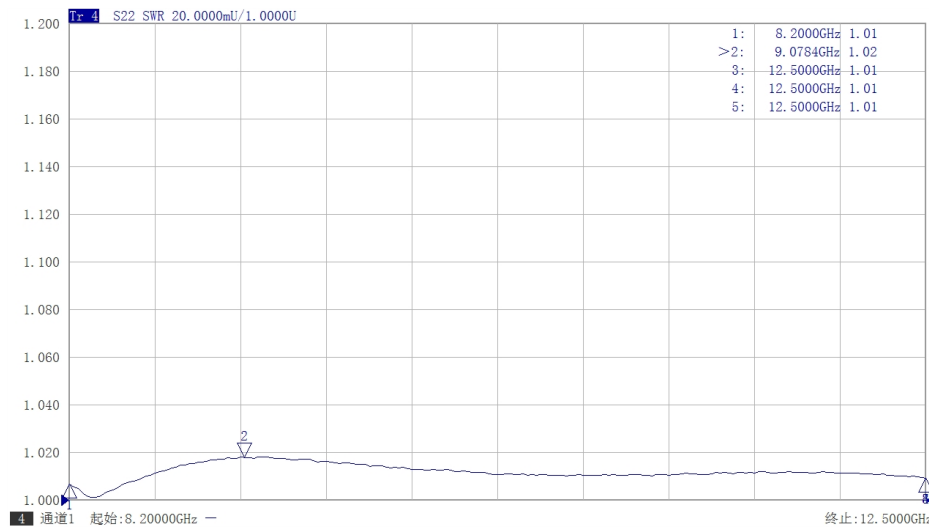
Electrical & Environmental

Frequency Range	8.2-12.5GHz	Impedance	50 ohm	VSWR	1.03 max
Input Avg Power	4W @25°C	Peak Power	-		

Mechanical & Product Information

Product Number	RWT90, High-Precision	Waveguide/Flange	WR90(BJ100), FBP100(UBR) Flange
Waveguide Body	Aluminum, grey painted	Heat Sink	N/A
Waveguide Cavity	Aluminum, electric conductive oxidation		
Operating Temp		Net Weight	About 73.5g

Typical Test Data



Notes

1. Customized outlines and optimal VSWR available.
2. Refer to the derating curve for power input, derate linearly to 0.4W at 100°C.

