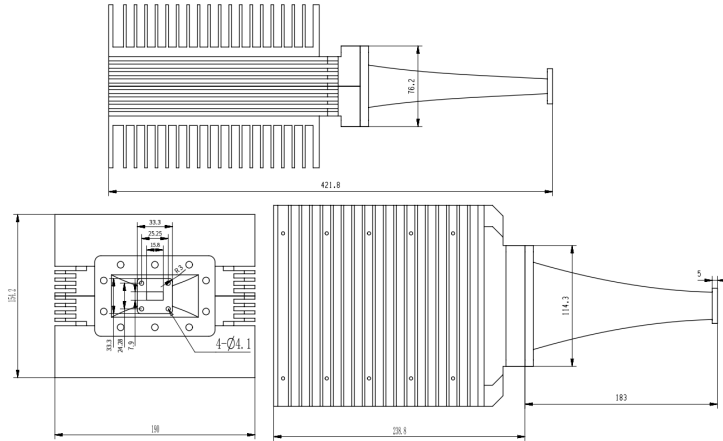


## WR62(BJ140) Waveguide Termination, RWT623000 11.9-18GHz, 3000W, FBP140(UBR) Flange, Rectangular

### Dimensions(mm) Tolerance $\pm 1\%$



### Electrical & Environmental

<b>Frequency Range</b>	11.9-18GHz	<b>Impedance</b>	50 ohm	<b>VSWR</b>	1.2 max
<b>Input Avg Power</b>	3000W @25°C	<b>Peak Power</b>	-		

### Mechanical & Product Information

<b>Product Number</b>	RWT623000, Professional	<b>Waveguide/Flange</b>	WR62(BJ140), FBP140(UBR) Flange
<b>Waveguide Body</b>	Aluminum, black painted	<b>Heat Sink</b>	Black anodized aluminum
<b>Waveguide Cavity</b>	Aluminum, electric conductive oxidation		
<b>Operating Temp</b>		<b>Net Weight</b>	-

### Typical Test Data

#### Notes

1. Customized outlines and optimal VSWR available.
2. Refer to the derating curve for power input, derate linearly to 300W at 100°C.
3. To maintain best performance, recommended to use fan to keep the case temp under 85°C.

