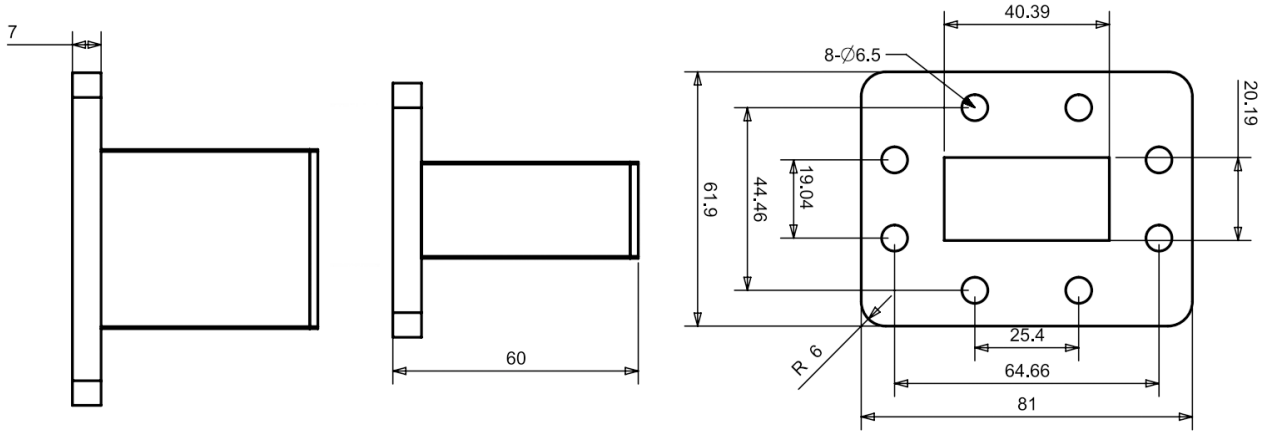




WR159(BJ58) Small Size Waveguide Termination, RWT15920 4.64-7.05GHz, 20W, UDR58 Flange, Rectangular

Dimensions(mm) Tolerance±1%



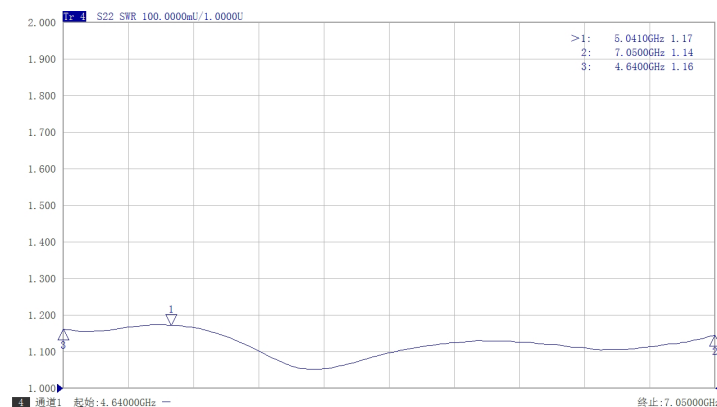
Electrical & Environmental

Frequency Range	4.64-7.05GHz	Impedance	-	VSWR	1.2 max
Input Avg Power	20W @25°C	Peak Power	-		

Mechanical & Product Information

Product Number	RWT15920, P-Grade	Waveguide	WR159(BJ58), UDR58 Flange
Waveguide Body	Aluminum, grey painted	Heat Sink	N/A
Waveguide Cavity	Aluminum, electric conductive oxidation		
Operating Temp	-55°C~+100°C	Net Weight	About 126.0g

Typical Test Data



1. Customized connectors, dimensions, PIM, VSWR.
2. Refer to the RFTOP Termination selection and usage guide.

Notes: To ensure longevity and performance, do not use at full power for a long time. Peak power, pulse width, and duty cycle need to meet the requirements. Input high power, require heat dissipation, maintain temperature within 60°C. Reference Curve, derate linearly to 2W at 100°C.

