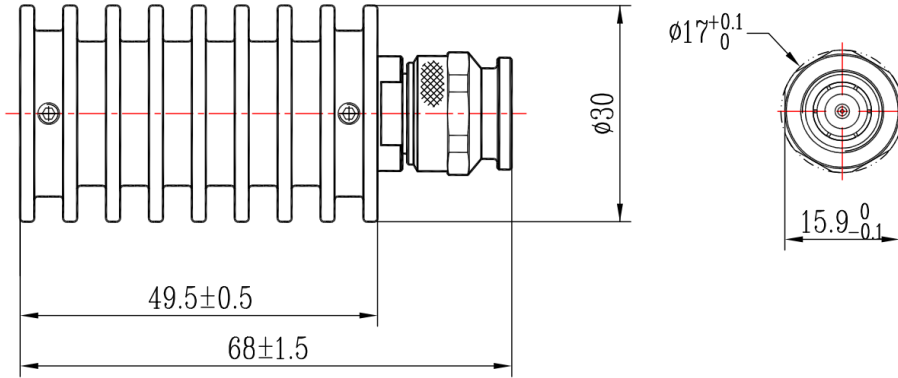


TNC Male Coaxial Termination, RTX10TM DC-18GHz, 10W, Round

Dimensions(mm) Tolerance±1%



Product Selection, Customizable

RFTOP P/N	Grade	VSWR
RT810TM	DC-8GHz	≤ 1.25
RT410TM	DC-4GHz	≤ 1.15
RT1810TM	DC-18GHz	≤ 1.40
RT1210TM	DC-12.4GHz	≤ 1.35

Electrical & Environmental

Frequency Range	DC-18GHz	Impedance	50 ohm	VSWR	1.4 max
Input Avg Power	10W @25°C	Peak Power	500W (5μsec pulse width, 1% duty cycle)		

Mechanical & Product Information

Product Number	RTX10TM, P-Grade	Connector	TNC Male
Connector Body	Ternary alloy plated brass	Heat Sink	Black anodized aluminum
Center Contact	Gold plated brass		
Operating Temp	-55°C~+125°C	Net Weight	-

1. Customized connectors, dimensions, PIM, VSWR.
2. Refer to the RFTOP Termination selection and usage guide.

Notes: To ensure longevity and performance, do not use at full power for a long time. Peak power, pulse width, and duty cycle need to meet the requirements. Input high power, require heat dissipation, maintain temperature within 60°C. Reference Curve, derate linearly to 1W at 100°C.

