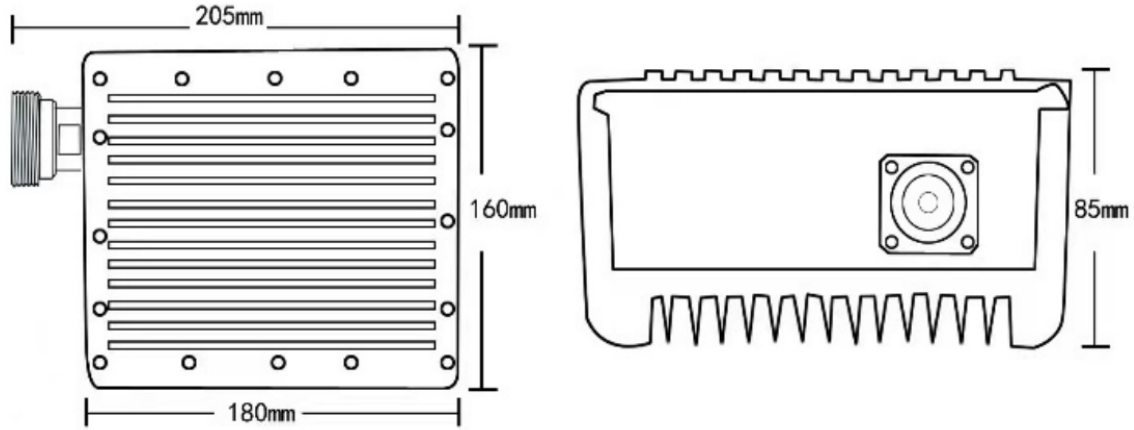




N Female Coaxial Termination, RTL207200NFA 0.698-2.7GHz, 200W, Rectangular

Dimensions(mm) Tolerance±1%



Electrical & Environmental

Frequency Range	0.698-2.7GHz	Impedance	50 ohm	VSWR	1.15 max
Input Avg Power	200W @25°C	Peak Power	5kW (5µsec pulse width, 2% duty cycle)		
PIM	-160dBc min				

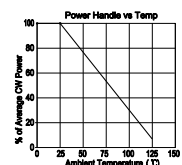
Mechanical & Product Information

Product Number	RTL207200NFA, Economical, Low PIM	Connector	N Female
Connector Body	Ternary alloy plated brass	Heat Sink	Black anodized aluminum
Center Contact	Gold plated beryllium copper		
Operating Temp		Net Weight	About 3.9kg

Typical Test Data

Notes

1. Customized outlines and optimal VSWR available.
2. Refer to the derating curve for power input, derate linearly to 20W at 100°C.
3. To maintain best performance, recommended to use fan to keep the case temp under 85°C.





Microwave and Millimeter wave products
supplier

RFTOP® Technology Co., Ltd.
www.rftop.com service@rftop.com 86-755-88840350