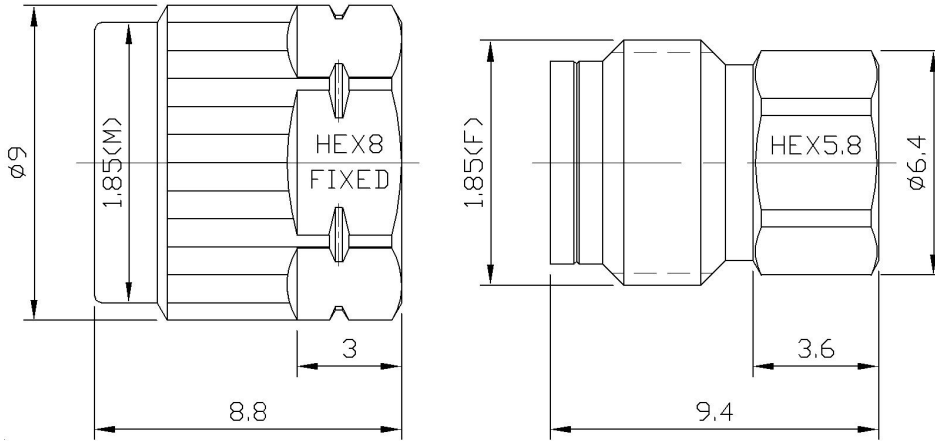




1.85mm Male Coaxial Termination, RT672M DC-67GHz, 2W, Round

Dimensions(mm) Tolerance±1%



Product Selection, Customizable		
RFTOP P/N	Grade	VSWR
RT672M	Standard	≤ 1.30
RT672M-B	B	≤ 1.25
RT672M-A	A	≤ 1.22

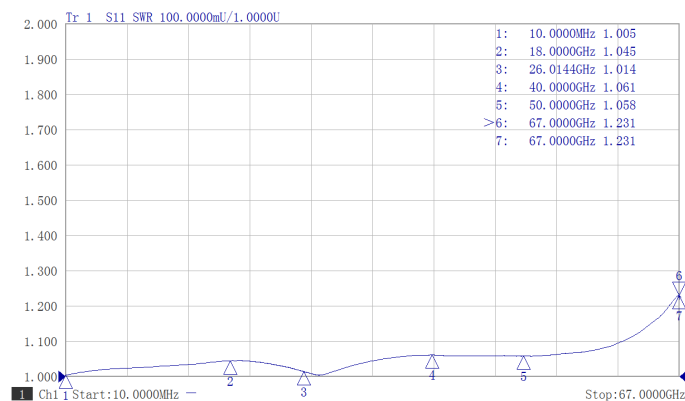
Electrical & Environmental

Frequency Range	DC-67GHz	Impedance	50 ohm	VSWR	1.3 max
Input Avg Power	2W @25°C	Peak Power	50W (5μsec pulse width, 2% duty cycle)		

Mechanical & Product Information

Product Number	RT672M, JP-Grade	Connector	1.85mm Male
Connector Body	Passivated stainless steel	Heat Sink	N/A
Center Contact	1.27um gold plated beryllium copper		
Operating Temp	-55°C~+100°C	Net Weight	About 3.0g

Typical Test Data



1. Customized connectors, dimensions, PIM, VSWR.
2. Refer to the RFTOP Termination selection and usage guide.

Notes: To ensure longevity and performance, do not use at full power for a long time. Peak power, pulse width, and duty cycle need to meet the requirements. Input high power, require heat dissipation, maintain temperature within 60°C. Reference Curve, derate linearly to 0.2W at 100°C.

