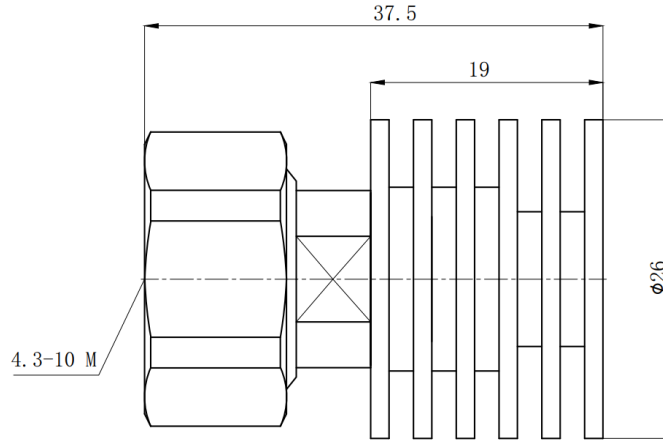


### 4.3-10 Male Coaxial Termination, RT65PM-TBA DC-6GHz, 5W, Round

Dimensions(mm) Tolerance±1%



#### Electrical & Environmental

<b>Frequency Range</b>	DC-6GHz	<b>Impedance</b>	50 ohm	<b>VSWR</b>	1.2 max
<b>Input Avg Power</b>	5W @25°C	<b>Peak Power</b>	500W (5μsec pulse width, 0.5% duty cycle)		

#### Mechanical & Product Information

<b>Product Number</b>	RT65PM-TBA, E-Grade	<b>Connector</b>	4.3-10 Male
<b>Connector Body</b>	Ternary alloy plated brass	<b>Heat Sink</b>	Black anodized aluminum
<b>Center Contact</b>	Gold plated Tin bronze		
<b>Operating Temp</b>	-55°C~+85°C	<b>Net Weight</b>	-

1. Customized connectors, dimensions, PIM, VSWR.
2. Refer to the RFTOP Termination selection and usage guide.

**Notes:** To ensure longevity and performance, do not use at full power for a long time. Peak power, pulse width, and duty cycle need to meet the requirements. Input high power, require heat dissipation, maintain temperature within 60°C. Reference Curve, derate linearly to 0.5W at 100°C.

