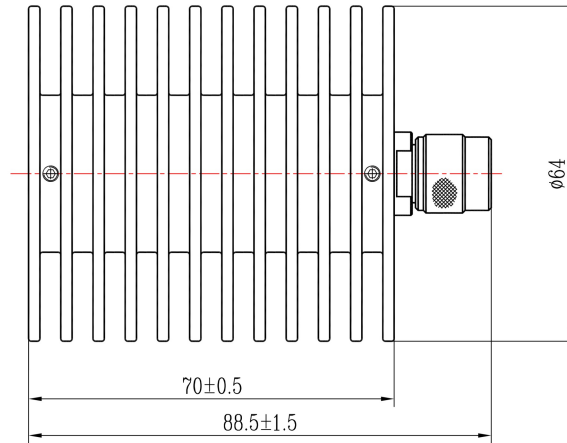




TNC Male Coaxial Termination, RT650TM DC-6GHz, 50W, Round

Dimensions(mm) Tolerance±1%



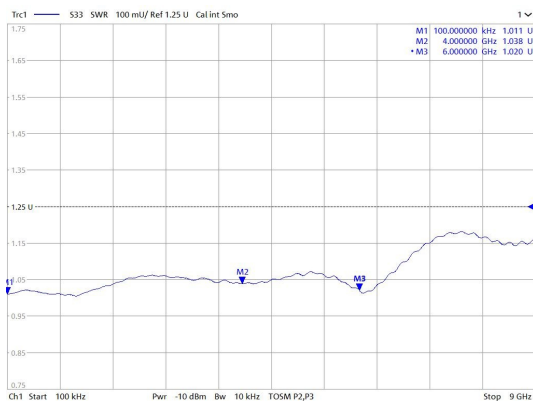
Electrical & Environmental

| | | | | | |
|------------------------|-----------|-------------------|---|-------------|----------|
| Frequency Range | DC-6GHz | Impedance | 50 ohm | VSWR | 1.25 max |
| Input Avg Power | 50W @25°C | Peak Power | 500W (5µsec pulse width, 5% duty cycle) | | |

Mechanical & Product Information

| | | | |
|-----------------------|----------------------------|-------------------|-------------------------|
| Product Number | RT650TM, P-Grade | Connector | TNC Male |
| Connector Body | Ternary alloy plated brass | Heat Sink | Black anodized aluminum |
| Center Contact | Gold plated brass | | |
| Operating Temp | -55°C~+125°C | Net Weight | About 314.0g |

Typical Test Data



1. Customized connectors, dimensions, PIM, VSWR.
2. Refer to the RFTOP Termination selection and usage guide.

Notes: To ensure longevity and performance, do not use at full power for a long time. Peak power, pulse width, and duty cycle need to meet the requirements. Input high power, require heat dissipation, maintain temperature within 60°C. Reference Curve, derate linearly to 5W at 100°C.

