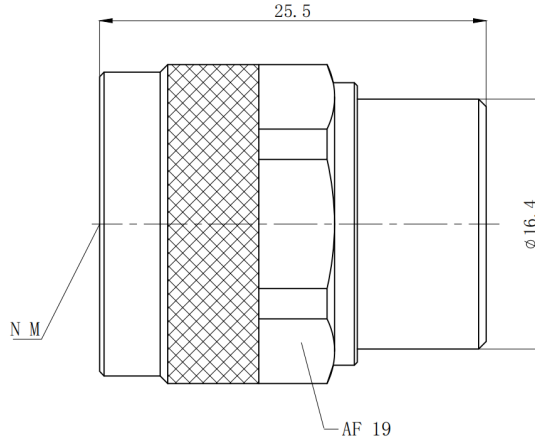


N Male Coaxial Termination, RT62NM-NBA DC-6GHz, 2W, Round

Dimensions(mm) Tolerance $\pm 1\%$



Electrical & Environmental

Frequency Range	DC-6GHz	Impedance	50 ohm	VSWR	1.2 max
Input Avg Power	2W @25°C	Peak Power	250W (5μsec pulse width, 0.4% duty cycle)		

Mechanical & Product Information

Product Number	RT62NM-NBA, E-Grade	Connector	N Male
Connector Body	Nickel plated brass	Heat Sink	N/A
Center Contact	Gold plated Tin bronze		
Operating Temp	-55°C~+85°C	Net Weight	-

Typical Test Data

Notes

1. Customized outlines and optimal VSWR available.
2. Refer to the derating curve for power input, derate linearly to 0.2W at 100°C.

