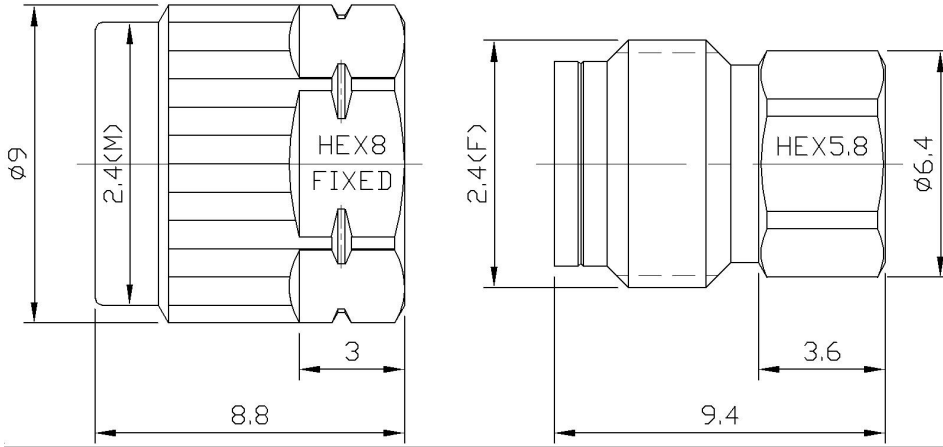




## 2.4mm Male Coaxial Termination, RT502M DC-50GHz, 2W, Round

### Dimensions(mm) Tolerance±1%



Product Selection, Customizable		
RFTOP P/N	Grade	VSWR
RT502M	Standard	$\leq 1.20$
RT502M-B	B	$\leq 1.15$
RT502M-A	A	$\leq 1.12$

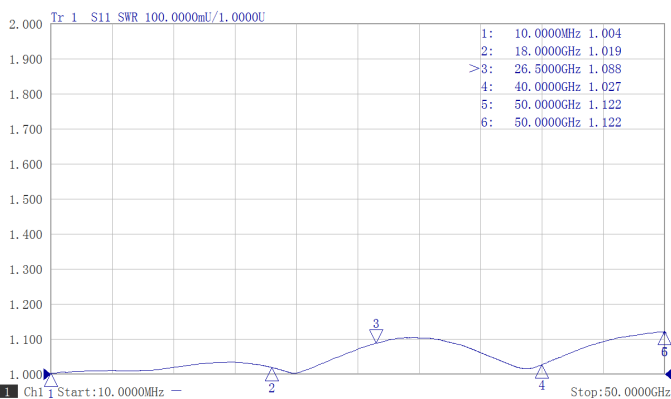
### Electrical & Environmental

Frequency Range	DC-50GHz	Impedance	50 ohm	VSWR	1.2 max
Input Avg Power	2W @25°C	Peak Power	100W (5μsec pulse width, 1% duty cycle)		

### Mechanical & Product Information

Product Number	RT502M, JP-Grade	Connector	2.4mm Male
Connector Body	Passivated stainless steel	Heat Sink	N/A
Center Contact	1.27um gold plated beryllium copper		
Operating Temp	-55°C~+100°C	Net Weight	About 3.0g

### Typical Test Data



1. Customized connectors, dimensions, PIM, VSWR.
2. Refer to the RFTOP Termination selection and usage guide.

**Notes:** To ensure longevity and performance, do not use at full power for a long time. Peak power, pulse width, and duty cycle need to meet the requirements. Input high power, require heat dissipation, maintain temperature within 60°C. Reference Curve, derate linearly to 0.2W at 100°C.

