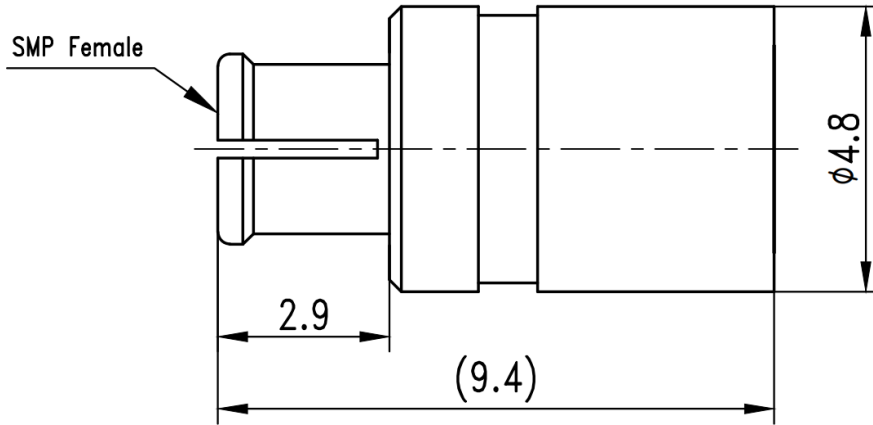




SMP(GPO) Female Coaxial Termination, RT402PF
DC-40GHz, 2W, Round

Dimensions(mm) Tolerance±1%



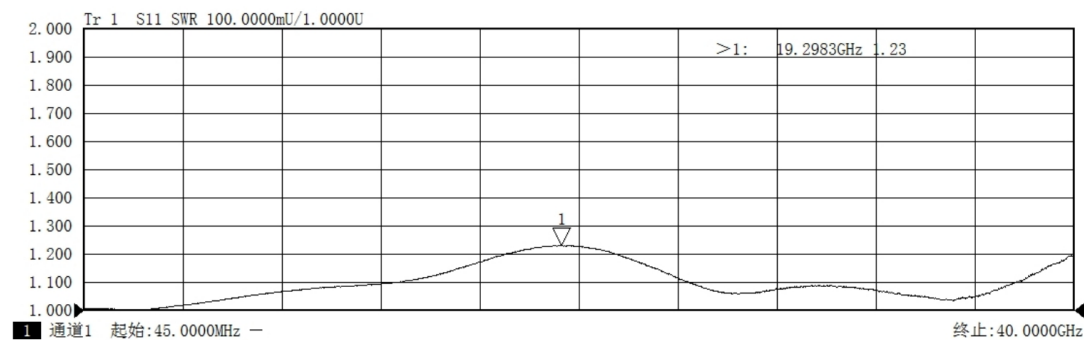
Electrical & Environmental

Frequency Range	DC-40GHz	Impedance	50 ohm	VSWR	1.4 max
Input Avg Power	2W @25°C	Peak Power	100W (5μsec pulse width, 0.4% duty cycle)		

Mechanical & Product Information

Product Number	RT402PF, P-Grade	Connector	SMP(GPO) Female
Connector Body	Gold plated beryllium copper	Heat Sink	N/A
Center Contact	Gold plated beryllium copper		
Operating Temp	-55°C~+125°C	Net Weight	About 0.8g

Typical Test Data



Notes

1. Customized outlines and optimal VSWR available.
2. Refer to the derating curve for power input, derate linearly to 0.2W at 100°C.

