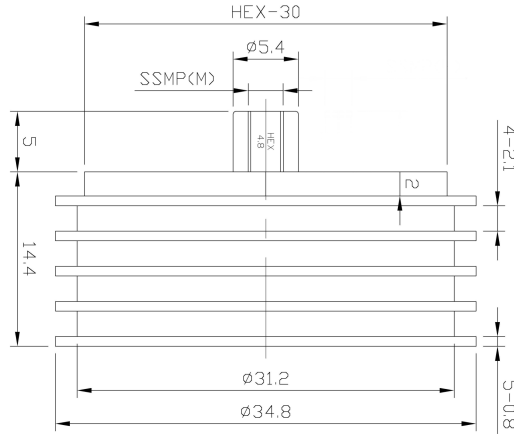


SSMP(GPPO, SMPM) Male Coaxial Termination, RT4010SPM DC-40GHz, 10W, Round

Dimensions(mm) Tolerance±1%



Electrical & Environmental

Frequency Range	DC-40GHz	Impedance	50 ohm	VSWR	1.26 max
Input Avg Power	10W @25°C	Peak Power	200W (5μsec pulse width, 3% duty cycle)		

Mechanical & Product Information

Product Number	RT4010SPM, JP-Grade	Connector	SSMP(GPPO, SMPM) Male		
Connector Body	Passivated stainless steel	Heat Sink	Black anodized aluminum		
Center Contact	1.27um gold plated beryllium copper				
Operating Temp	-55°C~+100°C	Net Weight	About 35.0g		

Typical Test Data

Notes

1. Customized outlines and optimal VSWR available.
2. Refer to the derating curve for power input, derate linearly to 1W at 100°C.
3. To maintain best performance, recommended to use fan to keep the case temp under 85°C.

